

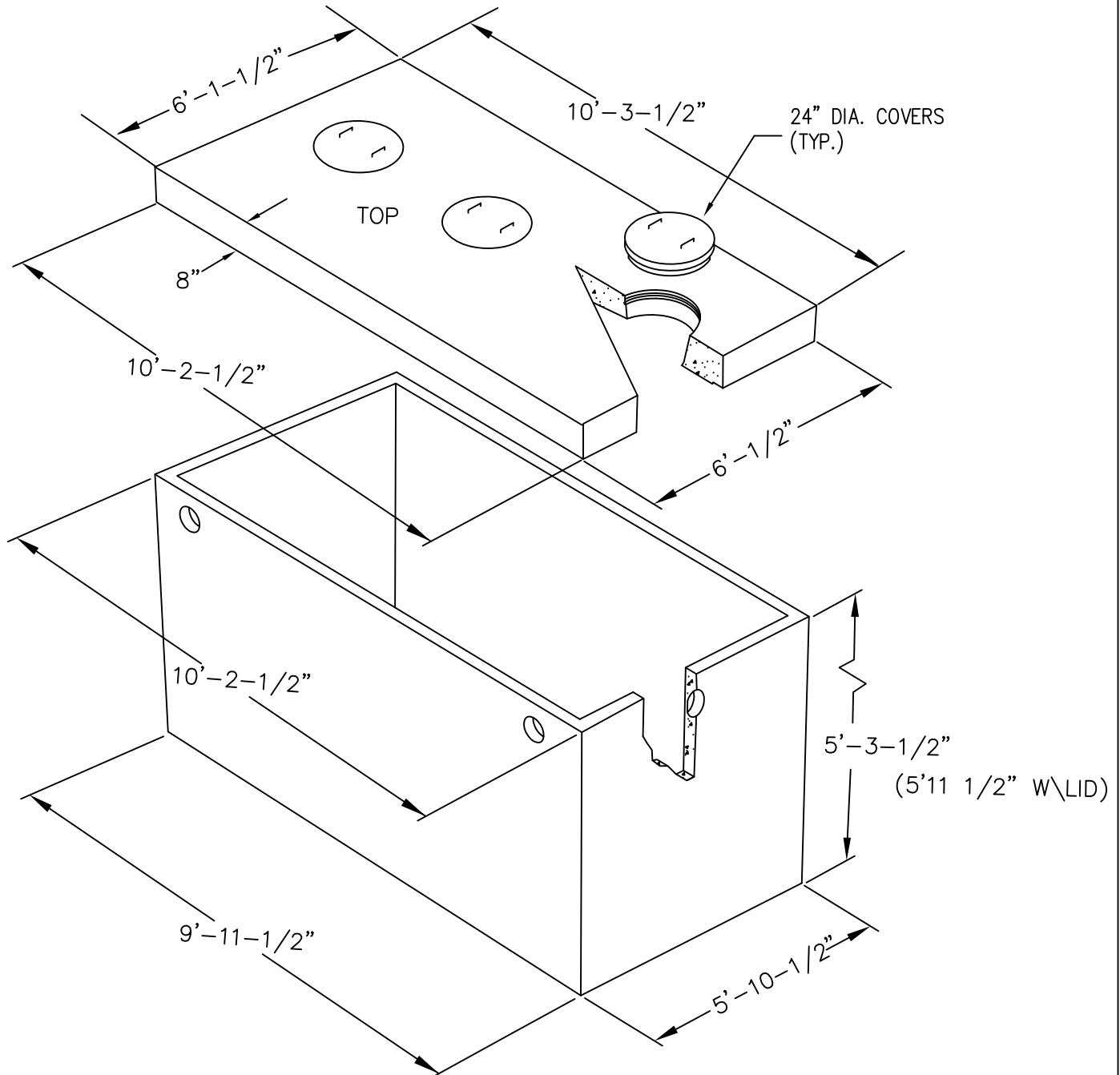


WIGGIN MEANS PRECAST CO., INC.

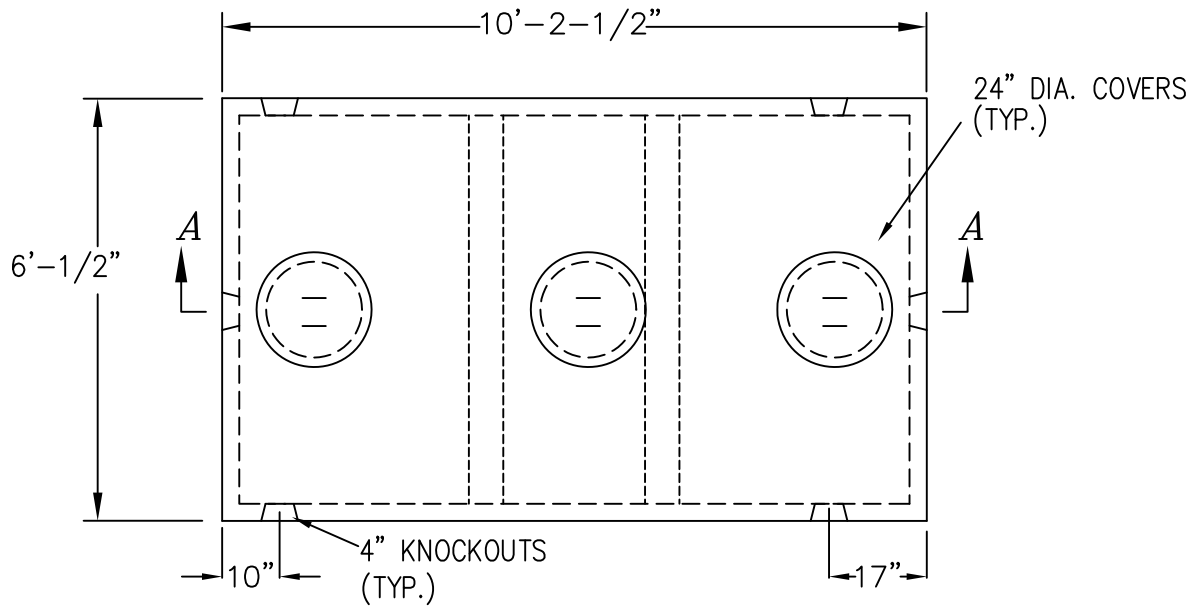
P.O. BOX 1507 POCASSET, MASSACHUSETTS 02559

TEL: 508.564.6776 FAX: 508.564.6770

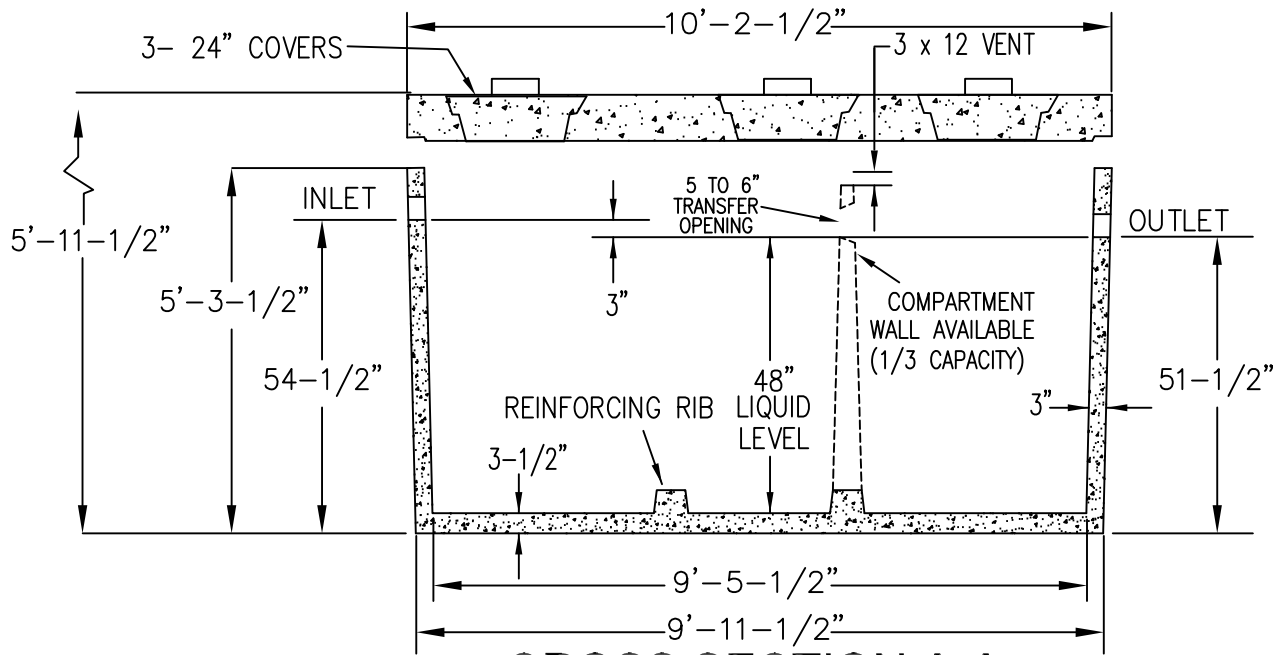
www.wigginprecast.com



1,500 GALLON H-20 MONOLITHIC SEPTIC TANK (AVAILABLE IN 2 COMPARTMENT)



PLAN VIEW



CROSS SECTION A-A

SPECIFICATIONS

- 1.) CONCRETE 5,000 PSI AFTER 28 DAYS.
- 2.) CONSTRUCTION CONFORMS TO DEP TITLE V REGS. 310 CMR SECTION 15.226.
- 3.) REINFORCEMENT PER ASTM C1227-93.
- 4.) WEIGHT 13,966 LBS