

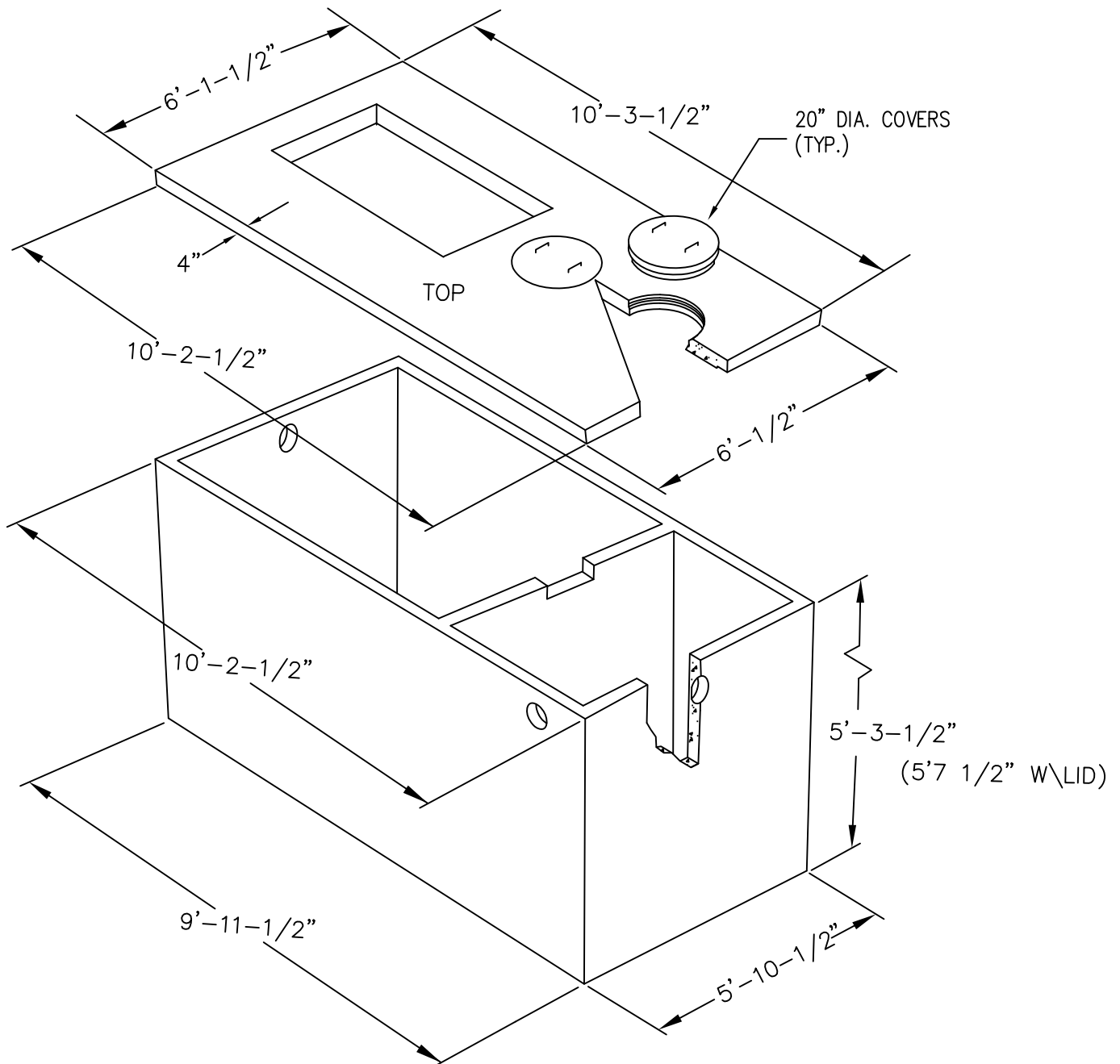


WIGGIN MEANS PRECAST CO., INC.

P.O. BOX 1507 POCASSET, MASSACHUSETTS 02559

TEL: 508.564.6776 FAX: 508.564.6770

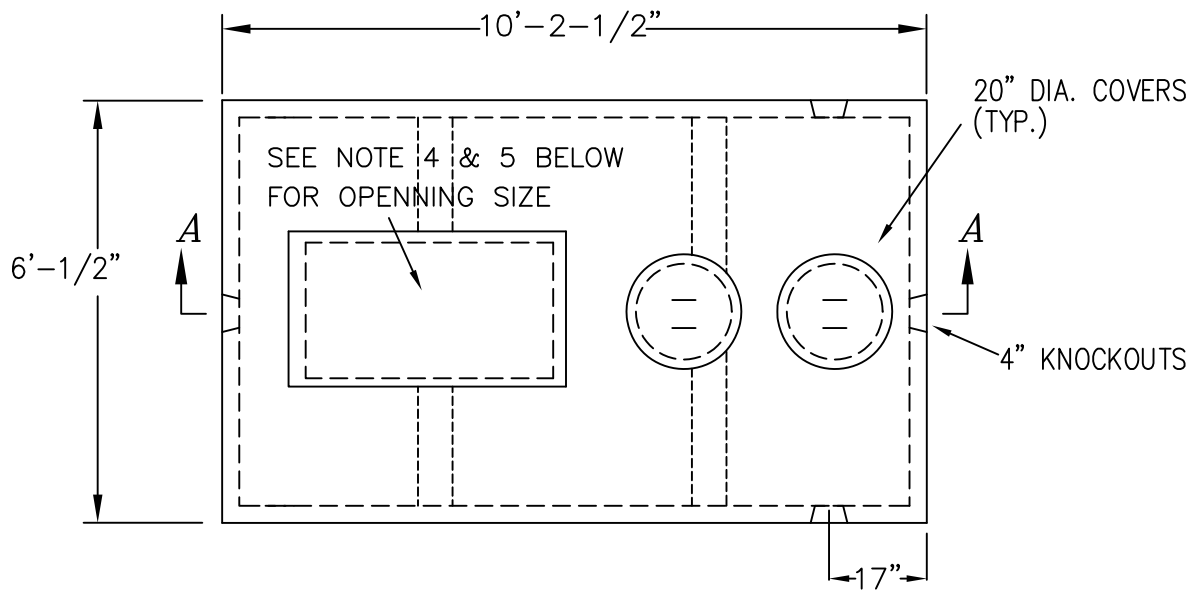
www.wigginprecast.com



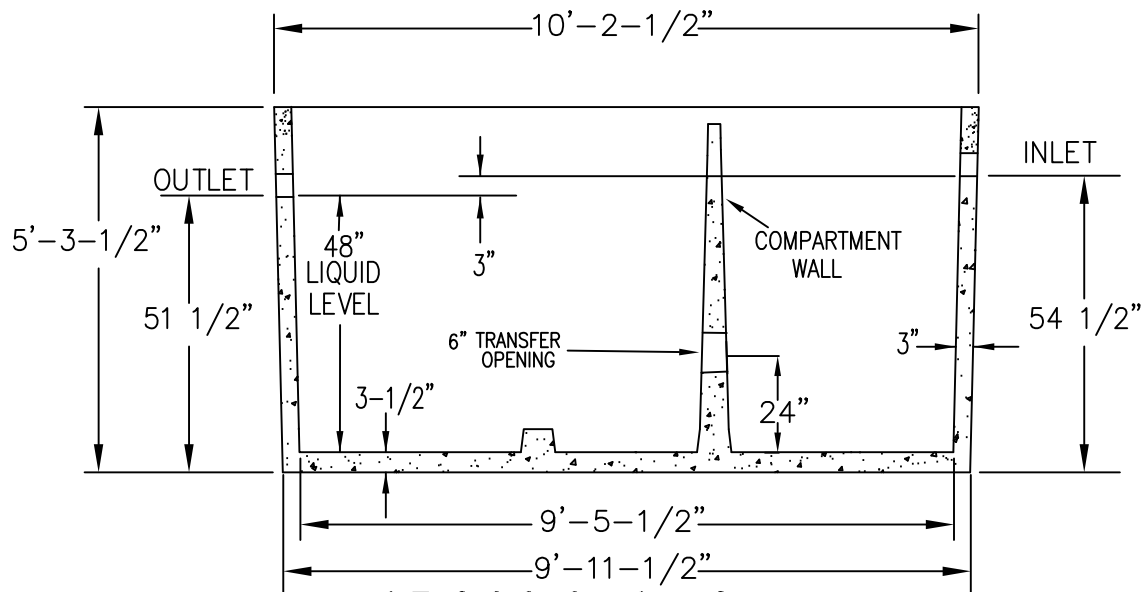
1500 GALLON MICRO FAST TANK

2 COMPARTMENT

TM1500F5
TM1500F9



PLAN VIEW



CROSS SECTION A-A

SPECIFICATIONS

- 1.) CONCRETE 4,000 PSI AFTER 28 DAYS.
- 2.) CONSTRUCTION CONFORMS TO DEP TITLE V REGS. 310 CMR SECTION 15.226.
- 3.) REINFORCEMENT PER ASTM C1227-93.
- 4.) 54" x 25" OPENNING FOR .5 FAST
- 5.) 54" x 49" OPENNING FOR .9 FAST
- 6.) WEIGHT .5 = 11546 LBS, .9 = 11,112 LBS