

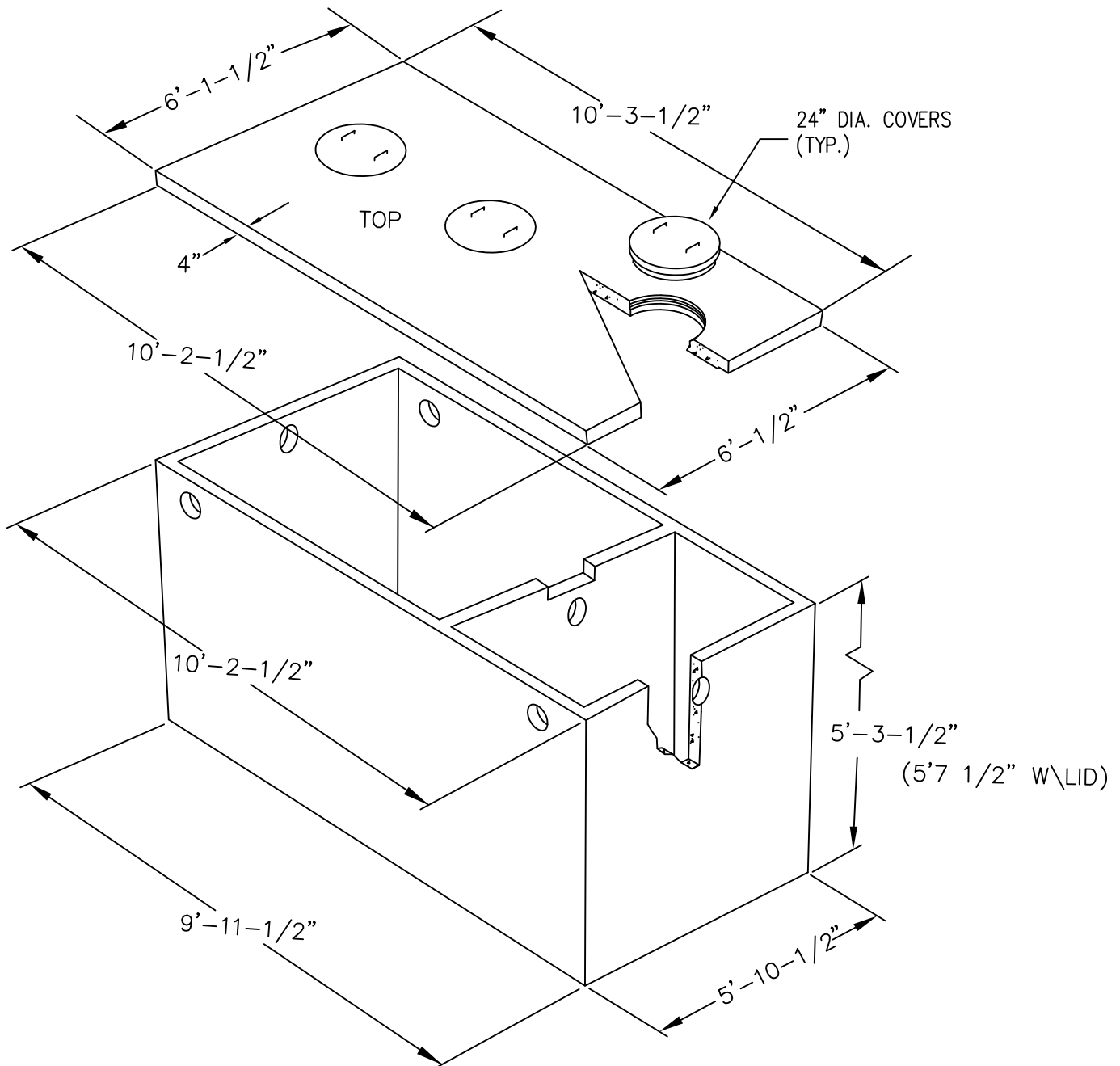


WIGGIN MEANS PRECAST CO., INC.

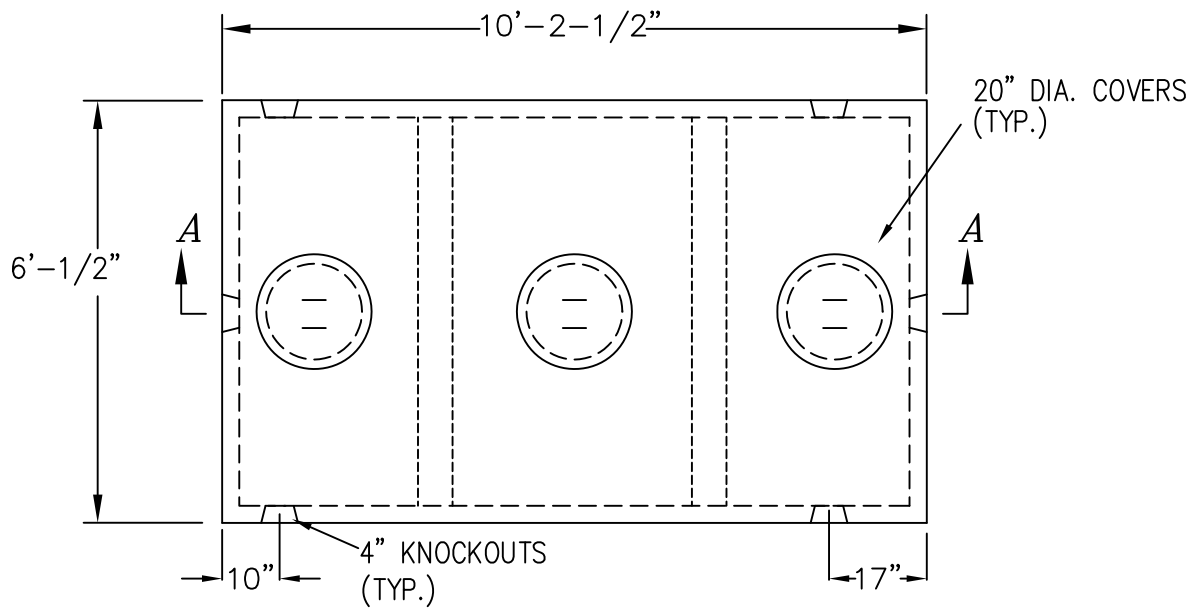
P.O. BOX 1507 POCASSET, MASSACHUSETTS 02559

TEL: 508.564.6776 FAX: 508.564.6770

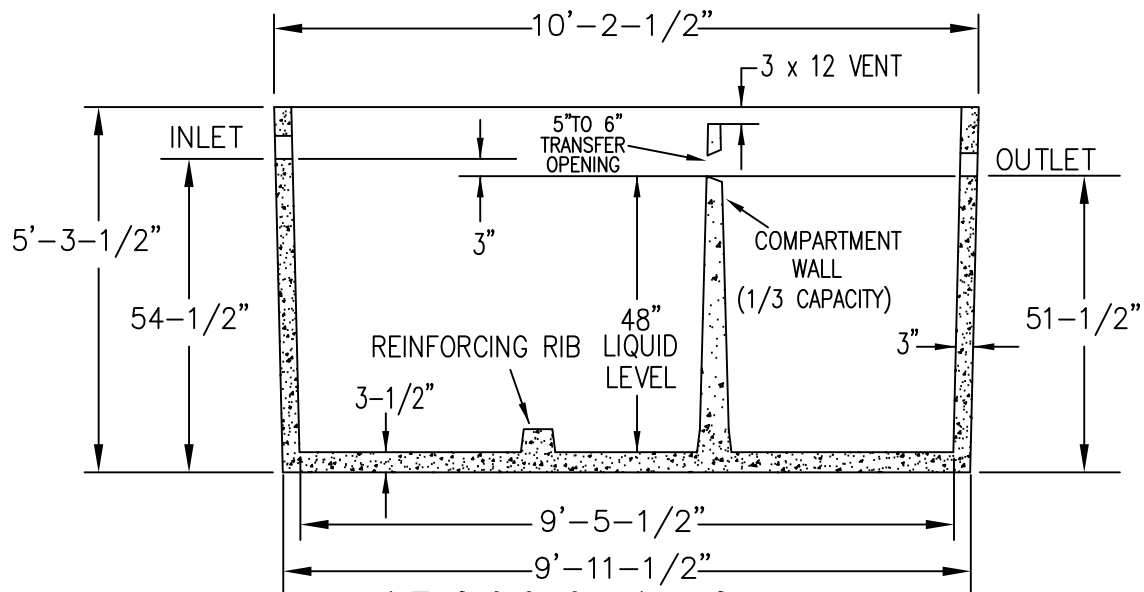
www.wigginprecast.com



1000/500 GALLON MONOLITHIC SEPTIC TANK 2 COMPARTMENT



PLAN VIEW



CROSS SECTION A-A

SPECIFICATIONS

- 1.) CONCRETE 4,000 PSI AFTER 28 DAYS.
- 2.) CONSTRUCTION CONFORMS TO DEP TITLE V REGS. 310 CMR SECTION 15.226.
- 3.) REINFORCEMENT PER ASTM C1227-93.
- 4.) WEIGHT 11,998 LBS