

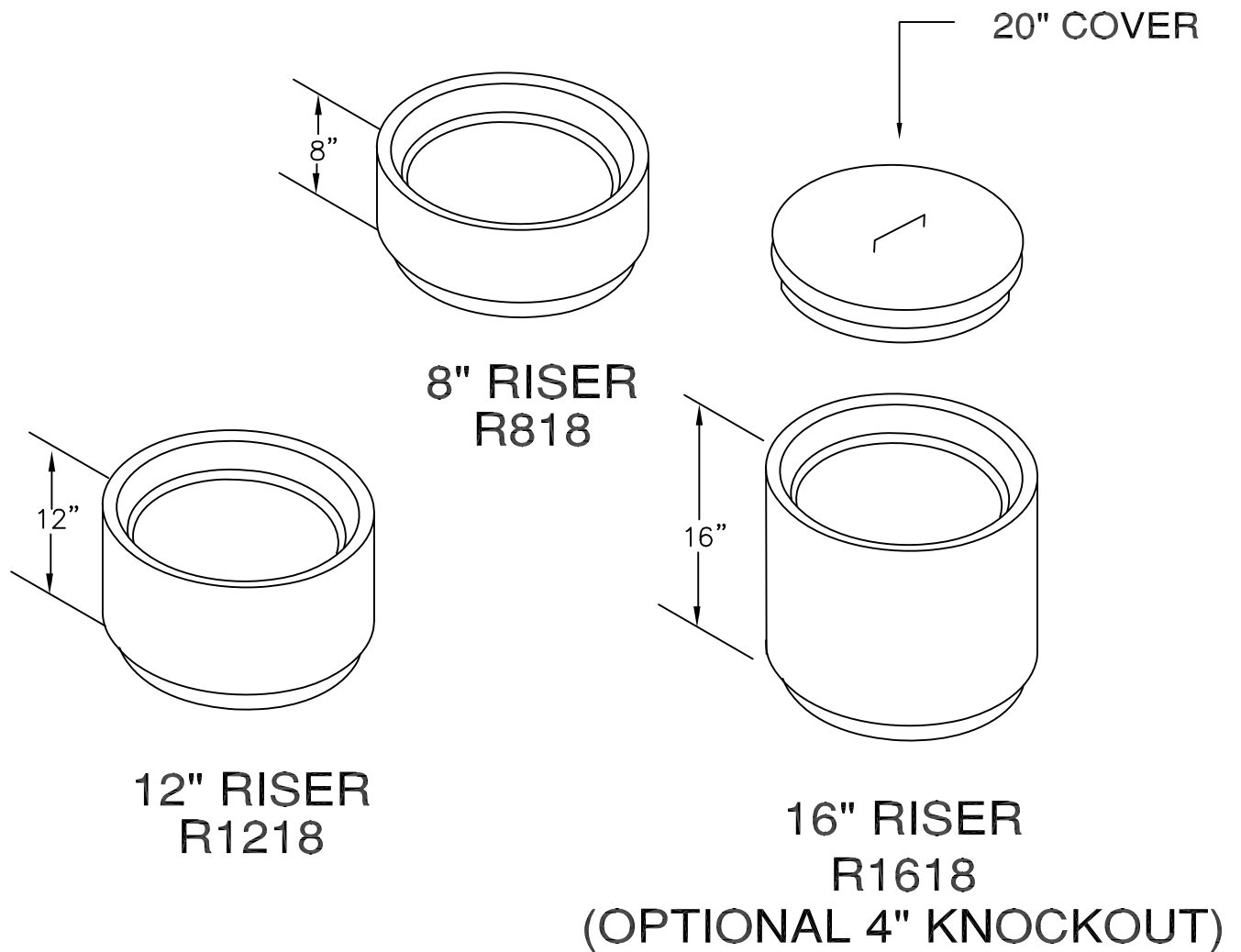


# WIGGIN MEANS PRECAST CO., INC.

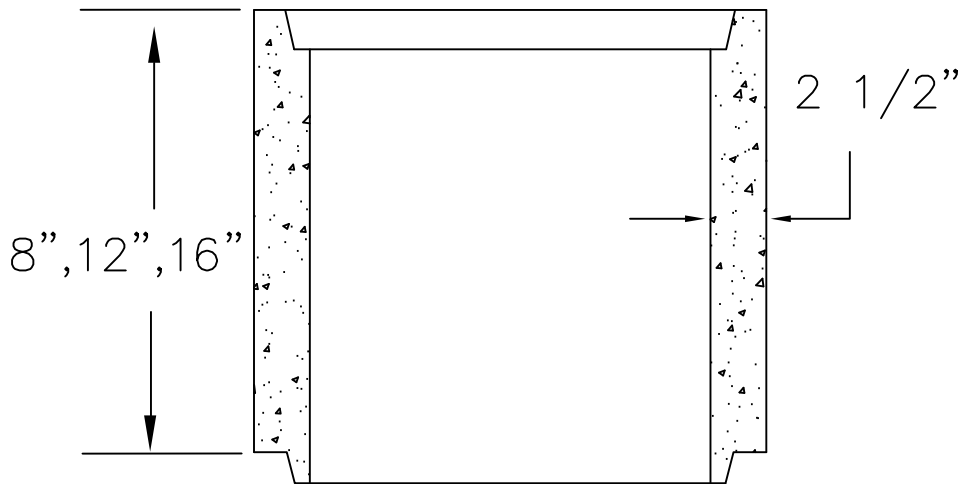
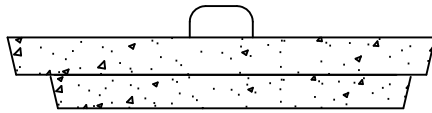
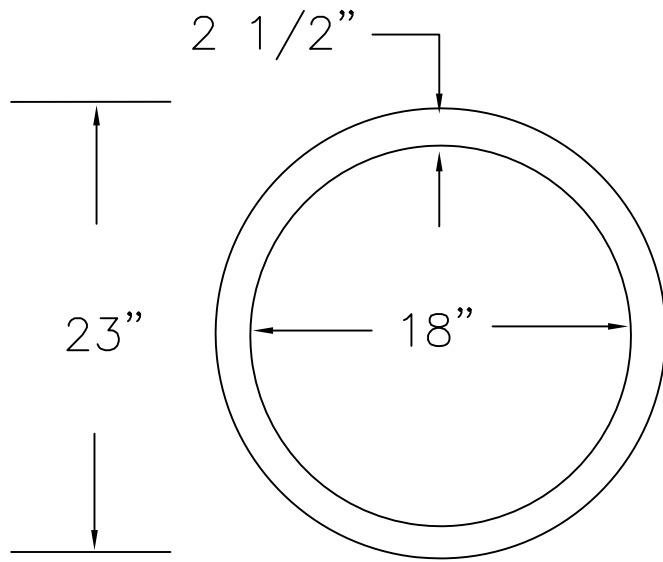
P.O. BOX 1507 POCASSET, MASSACHUSETTS 02559

TEL: 508.564.6776 FAX: 508.564.6770

[www.wigginprecast.com](http://www.wigginprecast.com)



## RESIDENTIAL RISERS



WEIGHT: 8" = 93 LBS, 12" = 130 LBS, 16" = 188 LBS