

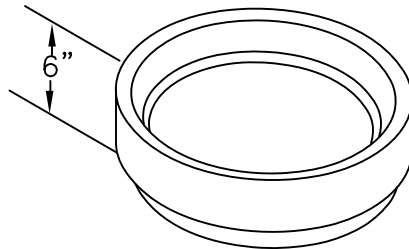


# WIGGIN MEANS PRECAST CO., INC.

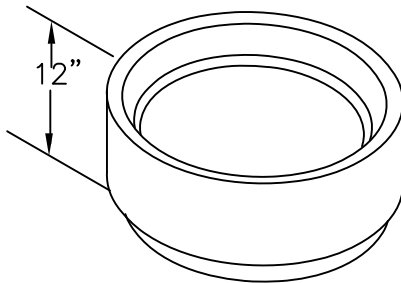
P.O. BOX 1507 POCASSET, MASSACHUSETTS 02559

TEL: 508.564.6776 FAX: 508.564.6770

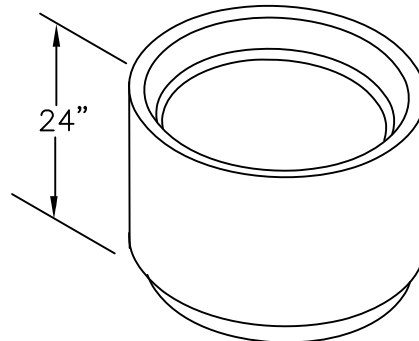
[www.wigginprecast.com](http://www.wigginprecast.com)



6" RISER  
R624

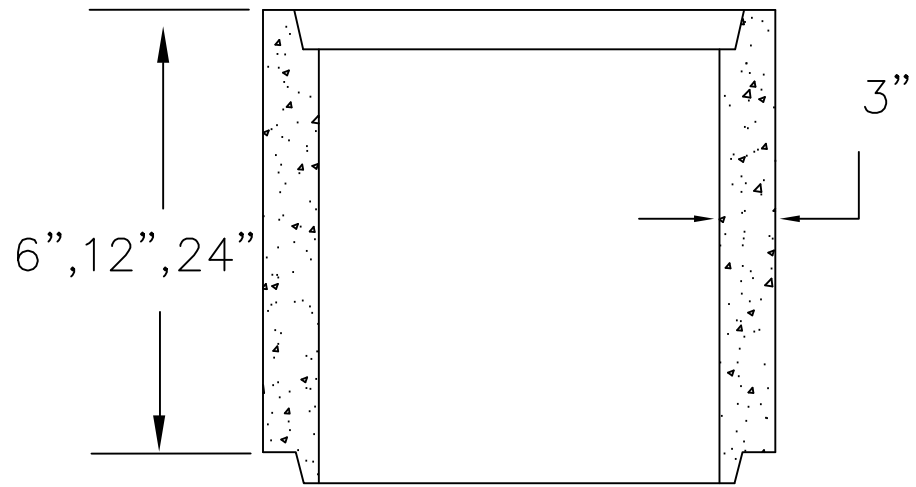
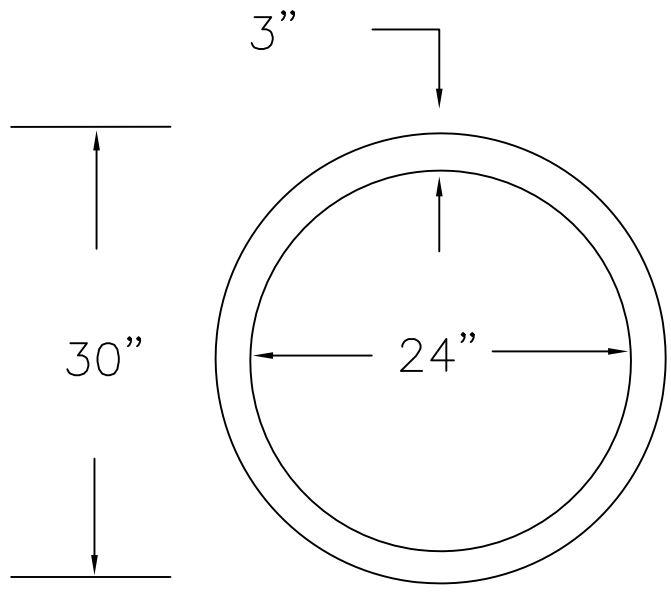


12" RISER  
R1224



24" RISER  
R2424

## H-10 24" Pump Chamber Risers



**WEIGHT: 6" 128 LBS, 12" 256LBS, 24" 512 LBS**