

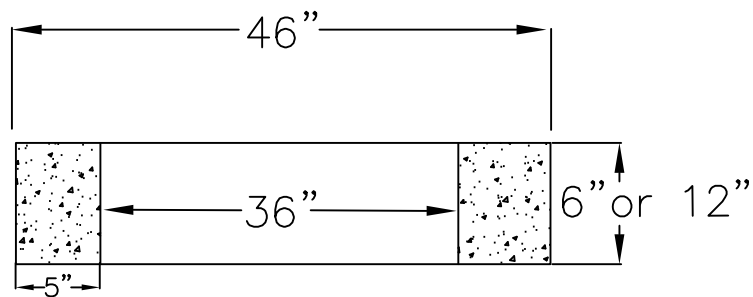
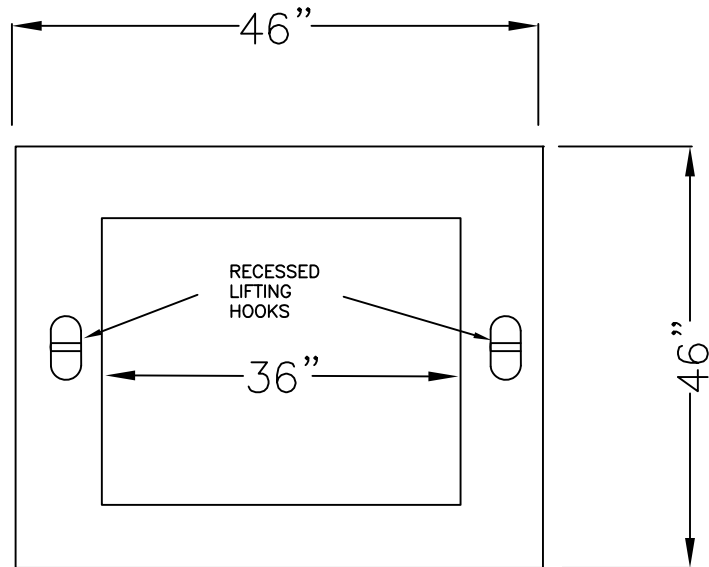


WIGGIN MEANS PRECAST CO., INC.

P.O. BOX 1507 POCASSET, MASSACHUSETTS 02559

TEL: 508.564.6776 FAX: 508.564.6770

www.wigginprecast.com



36" x 36" PUMP CHAMBER RISER

6" OR 12" HEIGHTS

46" x 46" COVERS AVAILABLE

PCR63636 & PCR123636