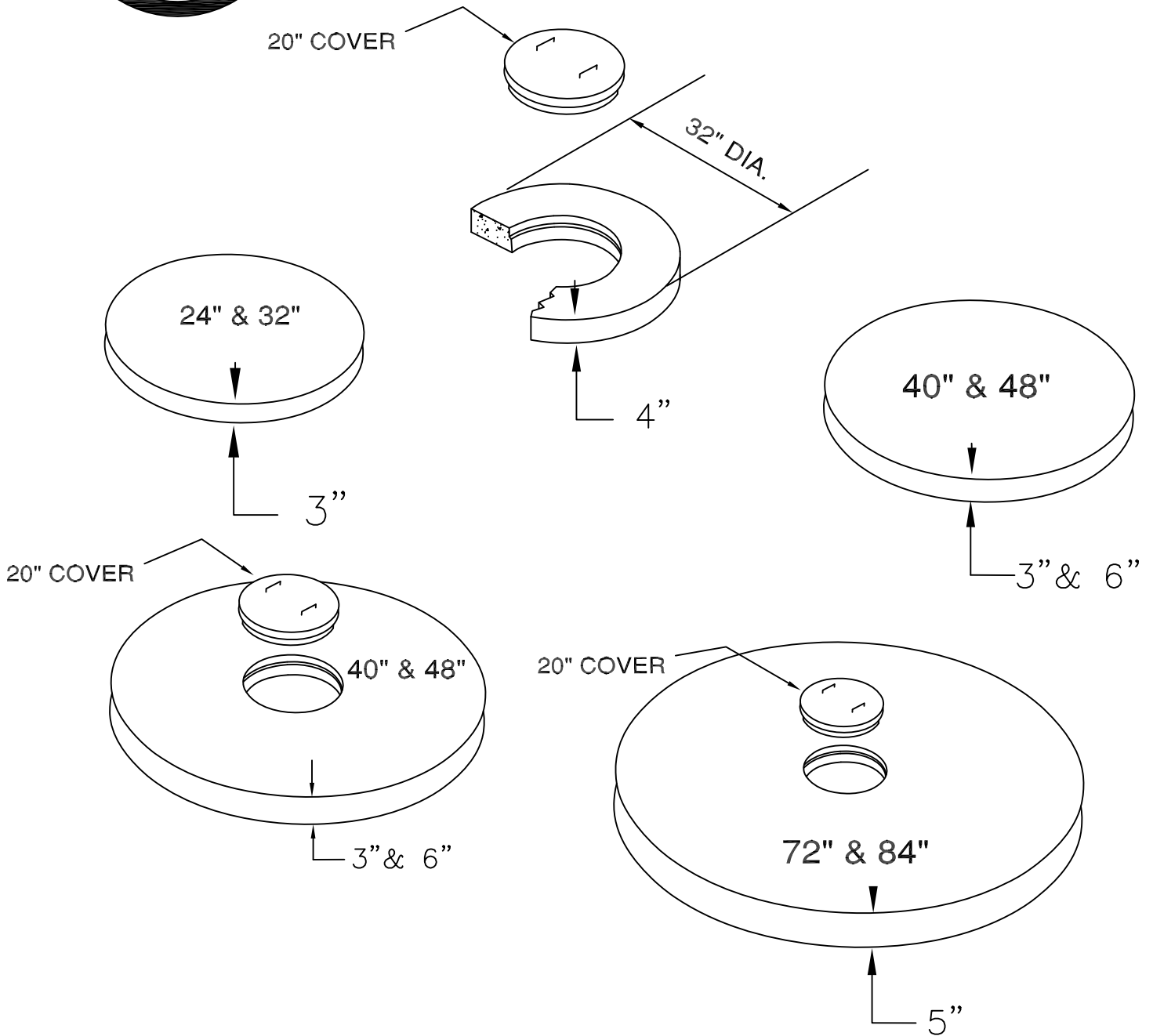




# WIGGIN MEANS PRECAST CO., INC.

P.O. BOX 1507 POCASSET, MASSACHUSETTS 02559  
TEL: 508.564.6776 FAX: 508.564.6770  
www.wigginprecast.com



## COVERS