

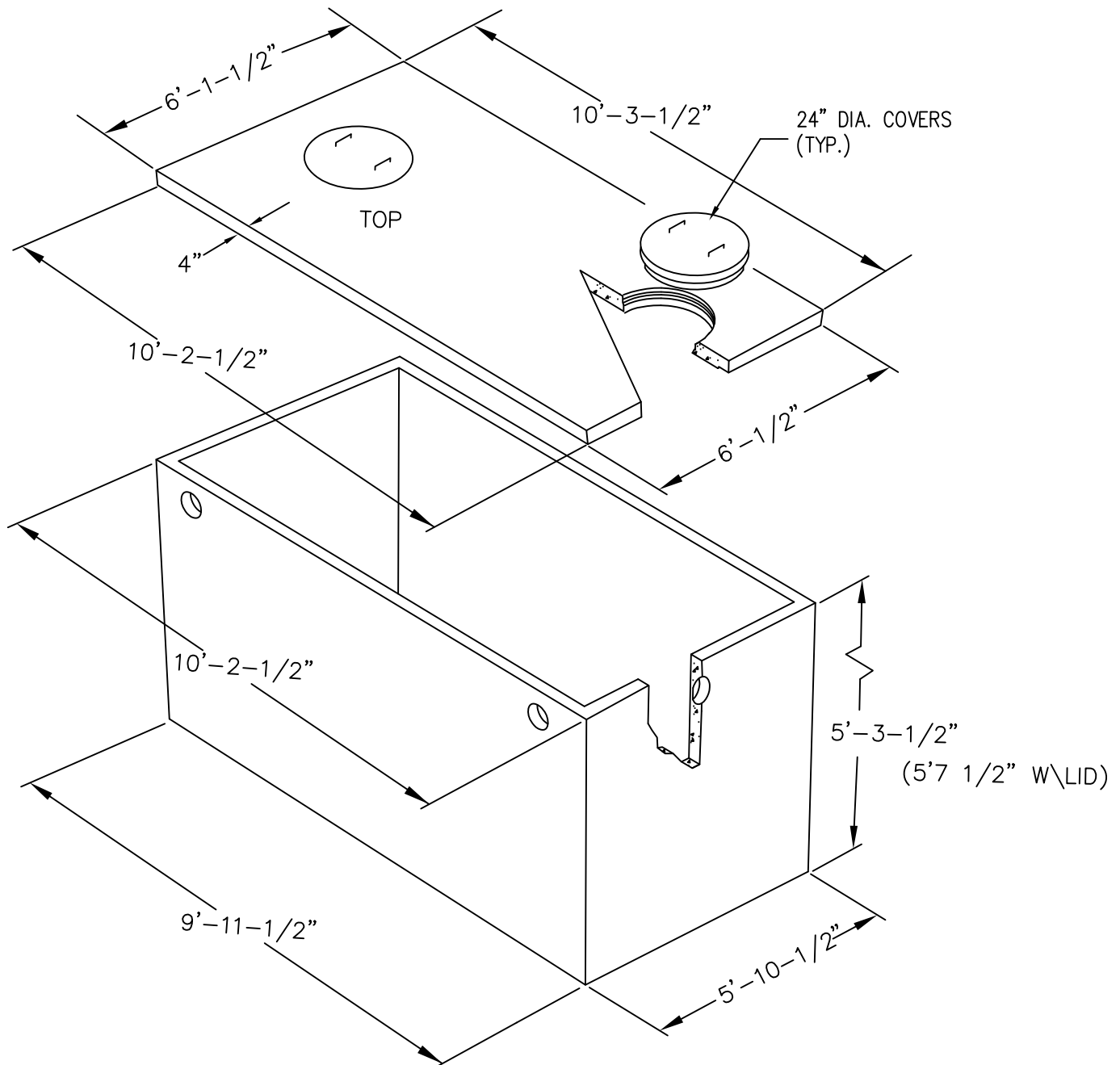


WIGGIN MEANS PRECAST CO., INC.

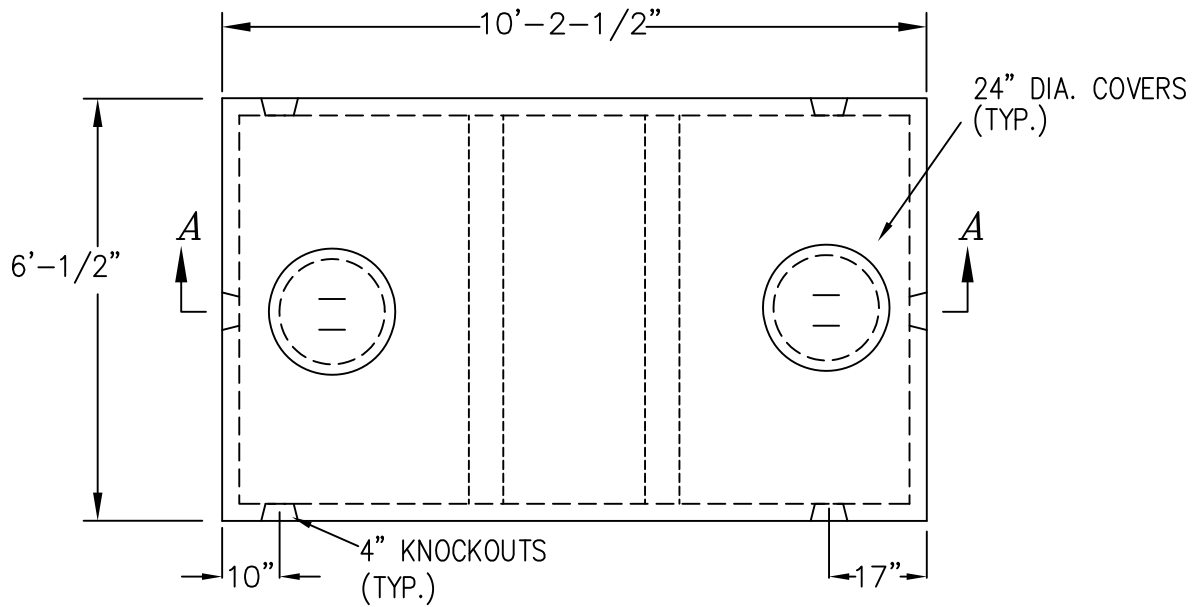
P.O. BOX 1507 POCASSET, MASSACHUSETTS 02559

TEL: 508.564.6776 FAX: 508.564.6770

www.wigginprecast.com

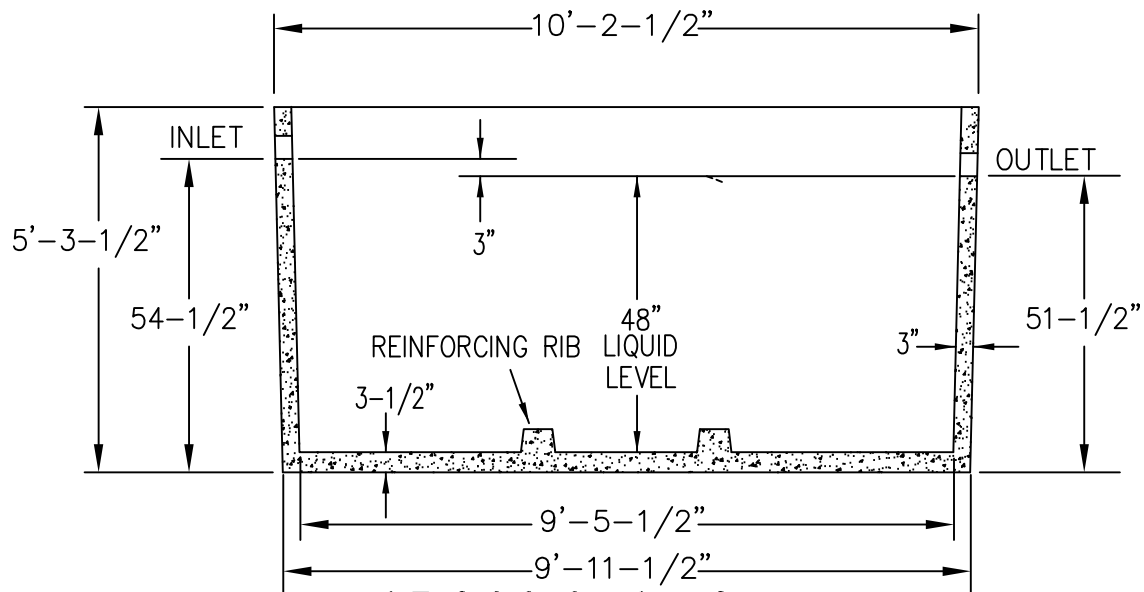


1,500 GALLON MONOLITHIC PUMP CHAMBER



PLAN VIEW

WIGGIN PRECAST CORP. T1500M



CROSS SECTION A-A

SPECIFICATIONS

- 1.) CONCRETE 4,000 PSI AFTER 28 DAYS.
- 2.) CONSTRUCTION CONFORMS TO DEP TITLE V REGS. 310 CMR SECTION 15.226.
- 3.) REINFORCEMENT PER ASTM C1227-93.
- 4.) WEIGHT 11,005 LBS