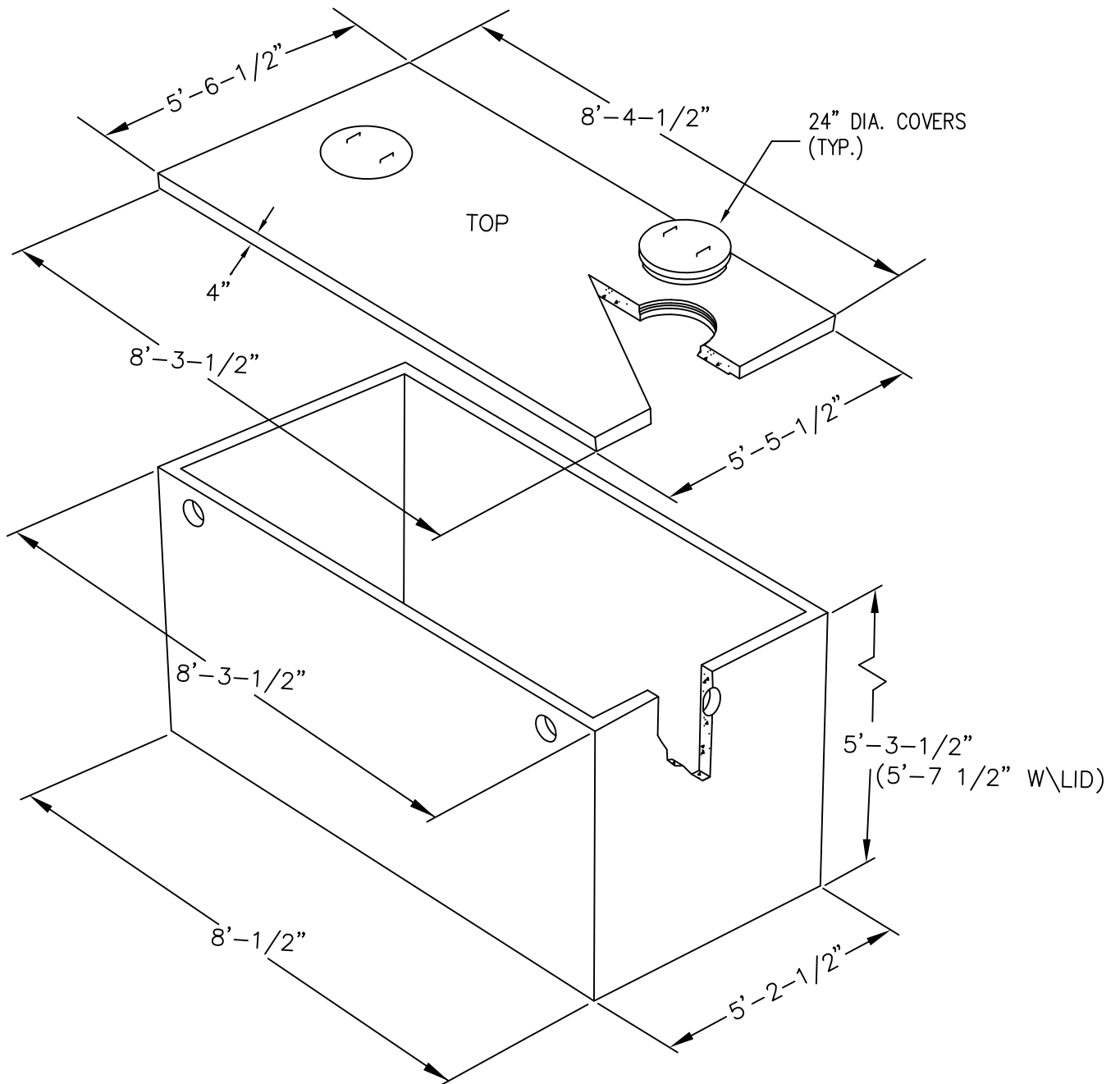


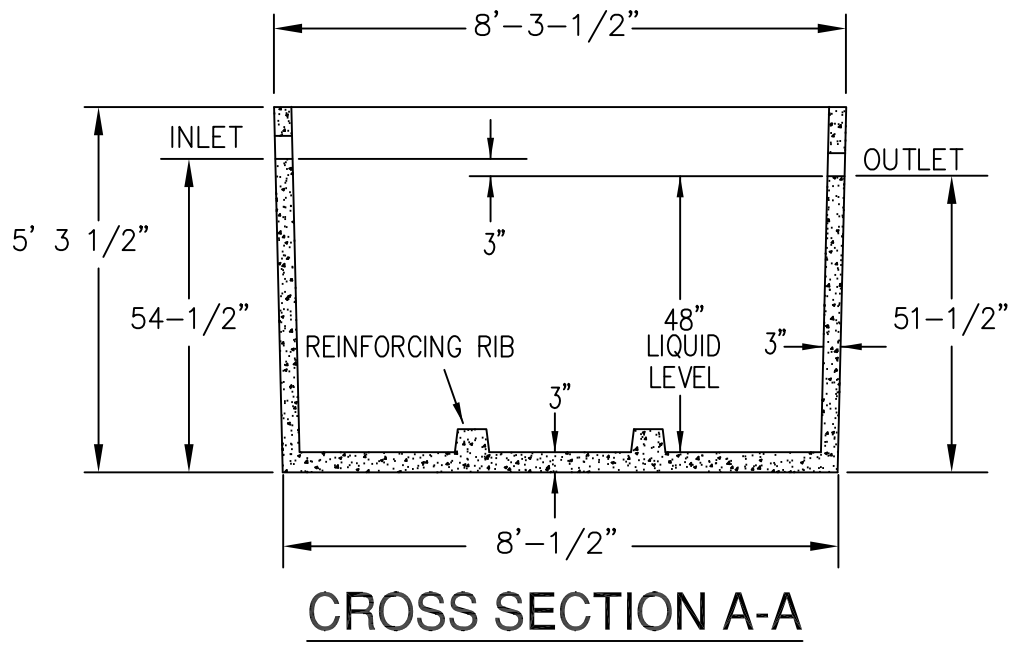
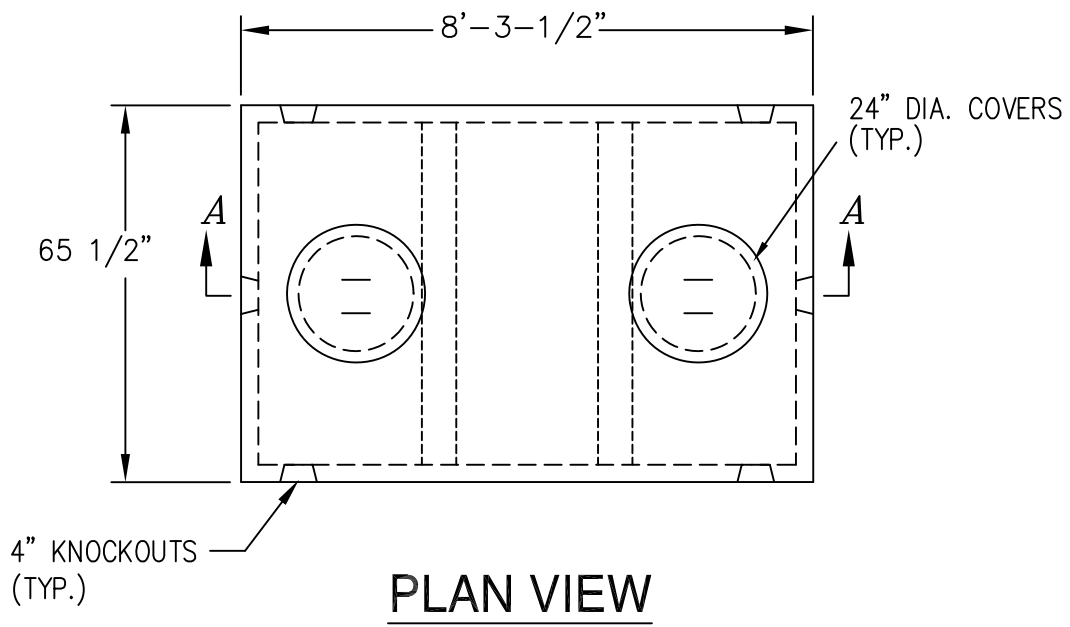


WIGGIN MEANS PRECAST CO., INC.

P.O. BOX 1507 POCASSET, MASSACHUSETTS 02559
TEL: 508.564.6776 FAX: 508.564.6770
www.wigginprecast.com



1,000 GALLON MONOLITHIC PUMP CHAMBER



SPECIFICATIONS

- 1.) CONCRETE 4,000 PSI AFTER 28 DAYS.
- 2.) CONSTRUCTION CONFORMS TO DEP TITLE V REGS. 310 CMR SECTION 15.226.
- 3.) REINFORCEMENT PER ASTM C1227-93.
- 4.) WEIGHT 8,380 LBS