

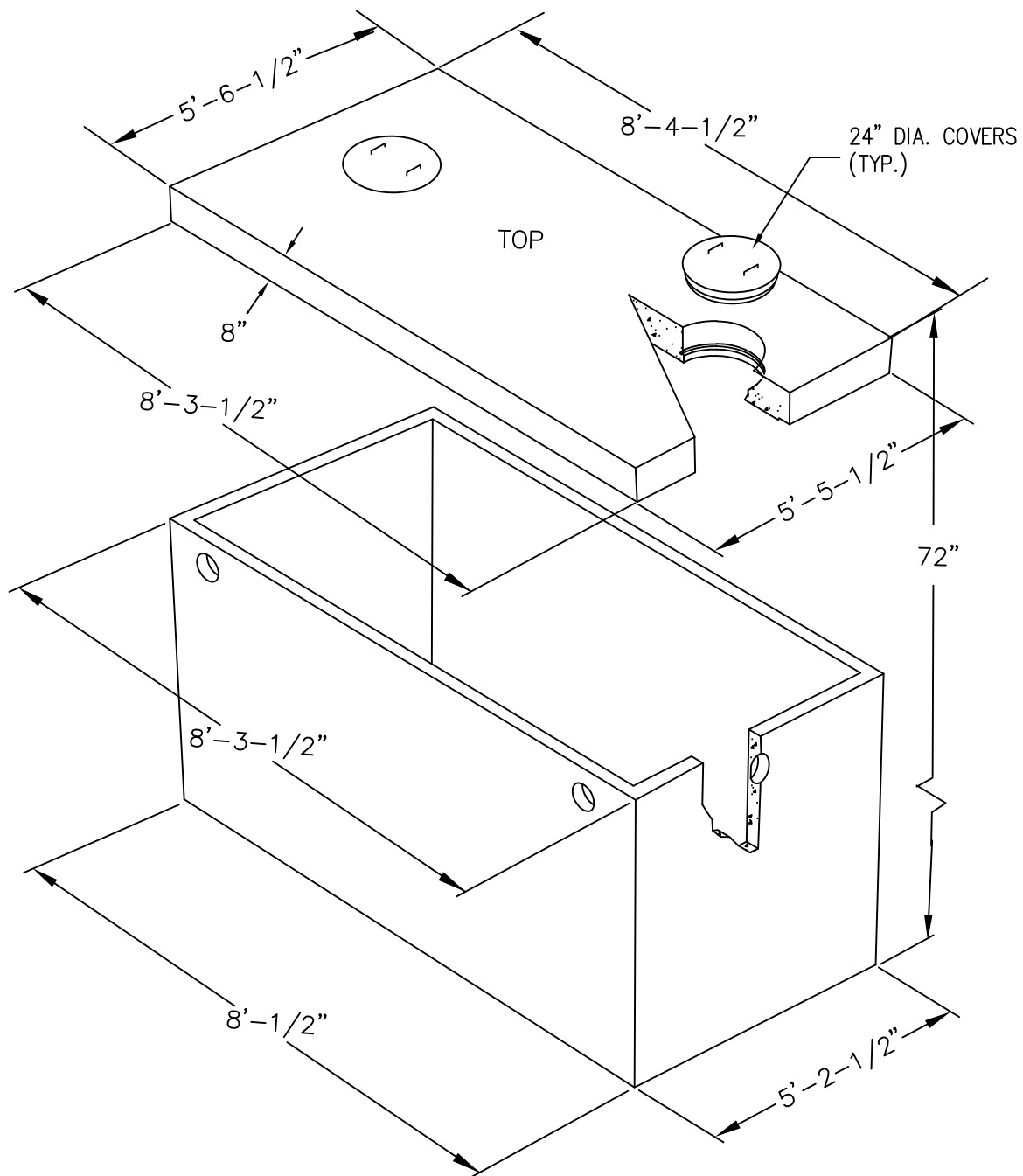


WIGGIN MEANS PRECAST CO., INC.

P.O. BOX 1507 POCASSET, MASSACHUSETTS 02559

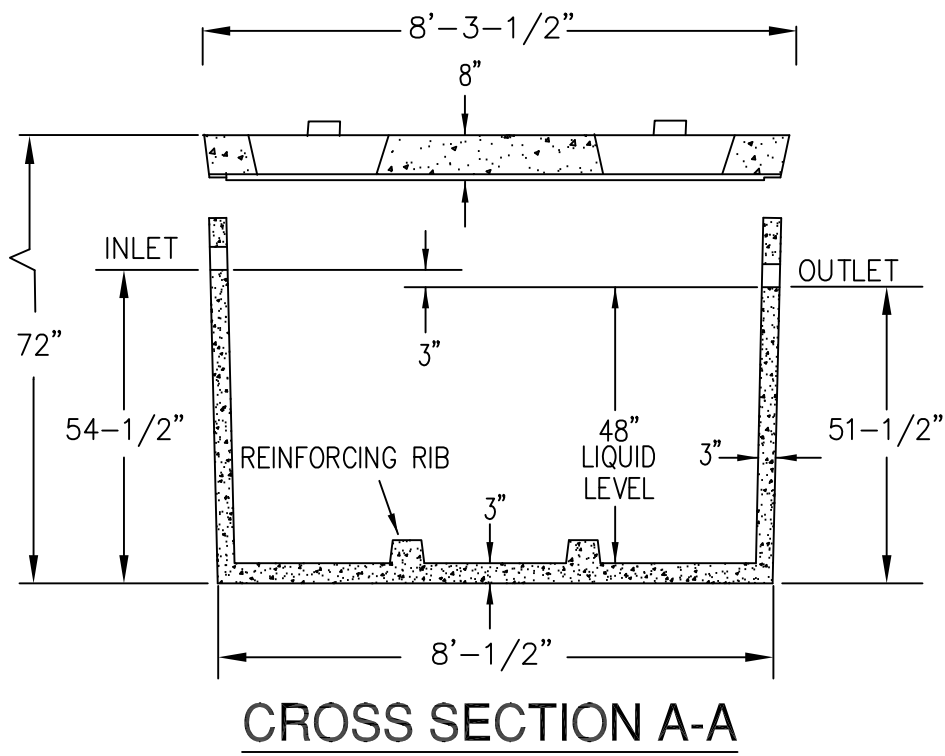
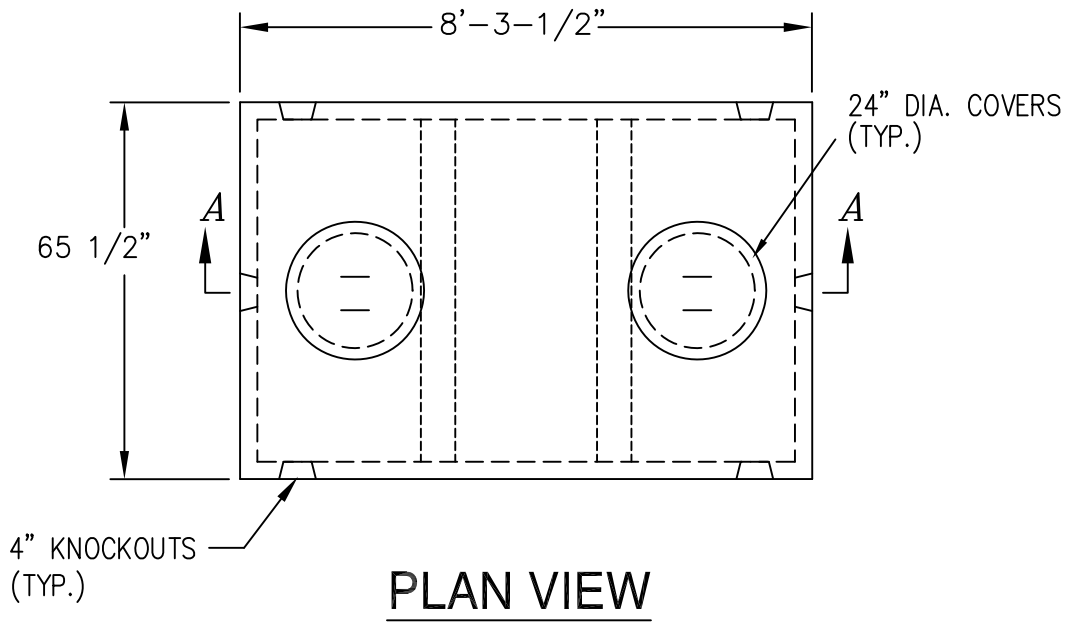
TEL: 508.564.6776 FAX: 508.564.6770

www.wigginprecast.com



1000 GAL. H-20 MONOLITHIC PUMP CHAMBER

PC1000monoH



SPECIFICATIONS

- 1.) CONCRETE 5,000 PSI AFTER 28 DAYS.
- 2.) CONSTRUCTION CONFORMS TO DEP TITLE V REGS. 310 CMR SECTION 15.226.
- 3.) REINFORCEMENT PER ASTM C1227-93.
- 4.) Weight 10,554