

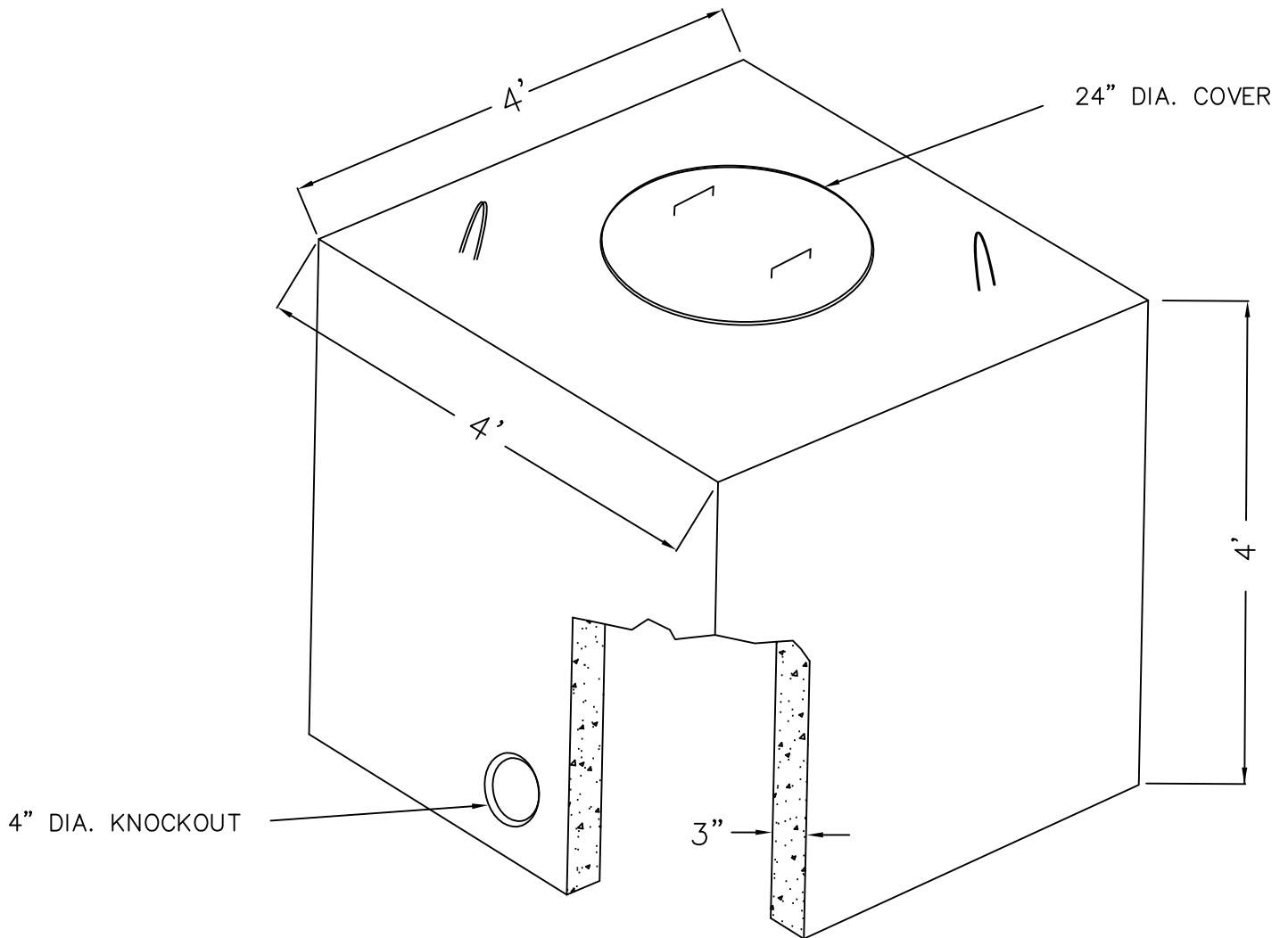


WIGGIN MEANS PRECAST CO., INC.

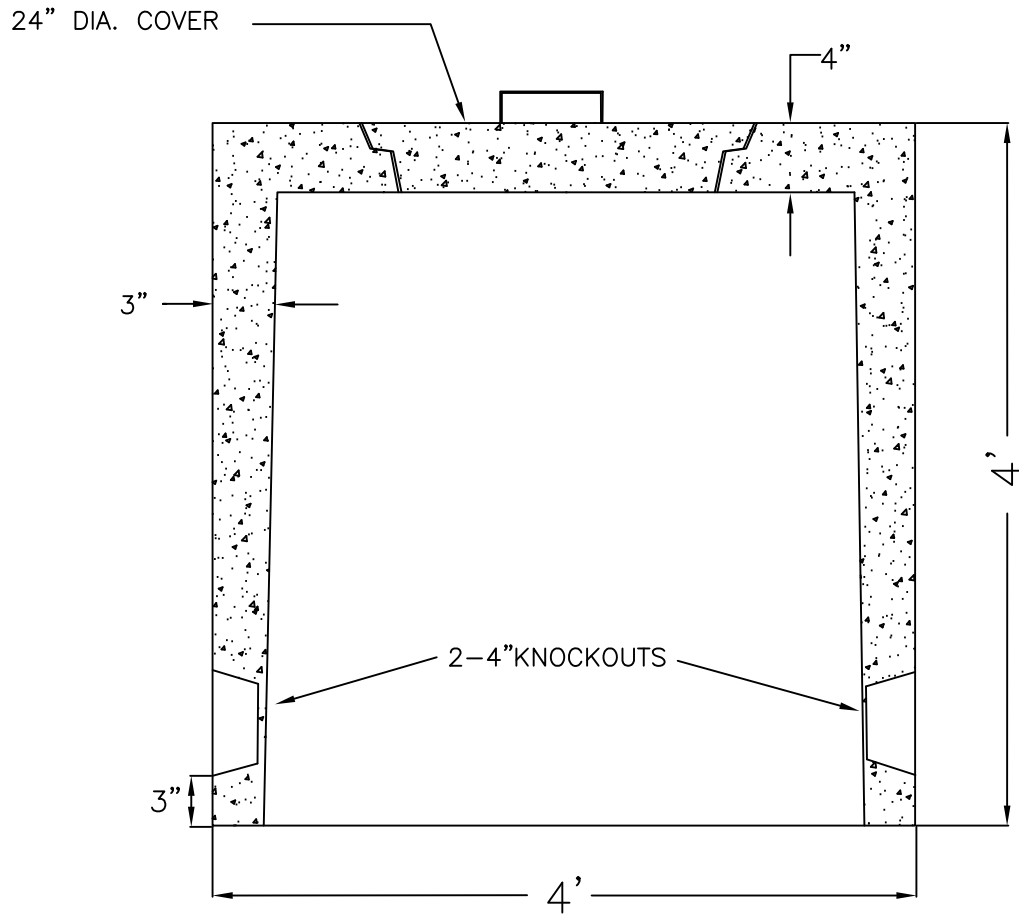
P.O. BOX 1507 POCASSET, MASSACHUSETTS 02559

TEL: 508.564.6776 FAX: 508.564.6770

www.wigginprecast.com



4 X 4 METER PIT



METER PIT

SPECIFICATIONS

- 1.) CONCRETE STRENGTH 4,000 PSI @ 28 DAYS.
- 2.) CEMENT, PORTLAND TYPE II PER ASTM C150-81
- 3.) STEEL REINFORCEMENT PER ASTM C1227-93
- 4.) AVAILABLE IN H-20 LOADING
- 5.) WEIGHT 2756 LBS