

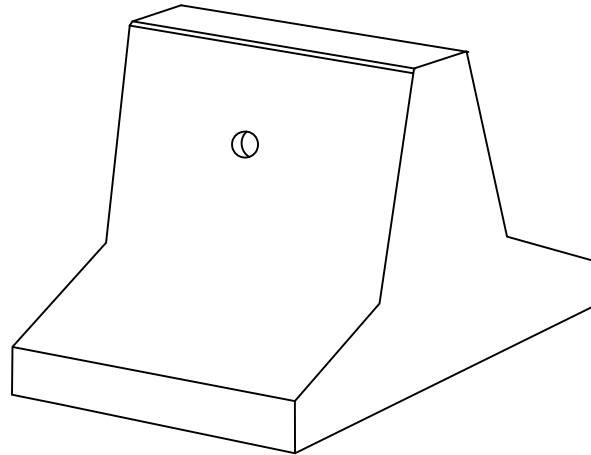


# WIGGIN MEANS PRECAST CO., INC.

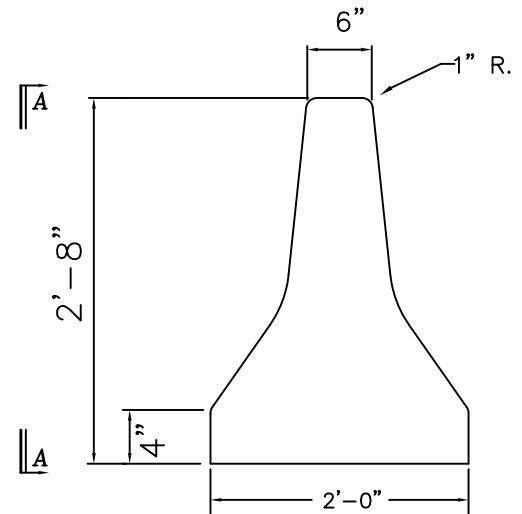
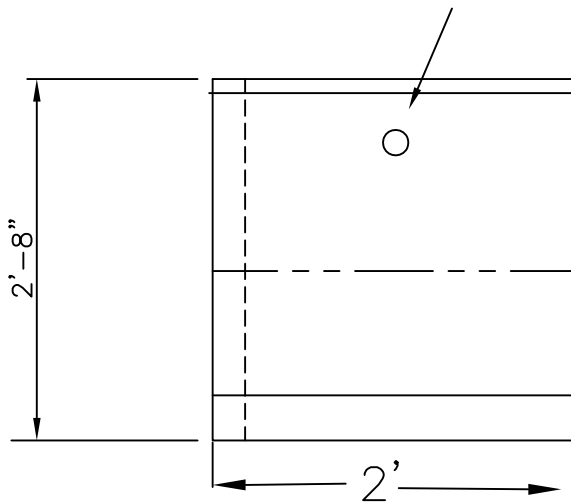
P.O. BOX 1507 POCASSET, MASSACHUSETTS 02559

TEL: 508.564.6776 FAX: 508.564.6770

www.wigginprecast.com



2" DIA. LIFTING HOLE



## SPECIFICATIONS

- 1.) CONCRETE 4,000 PSI AFTER 28 DAYS.
- 2.) APROX. WEIGHT 800 LBS
- 3.) LIFTING HOLE ACCEPTS 1 3/4" DIA. H.T. ROD

## 2' PROTECTION BARRIER DOUBLE FACE