

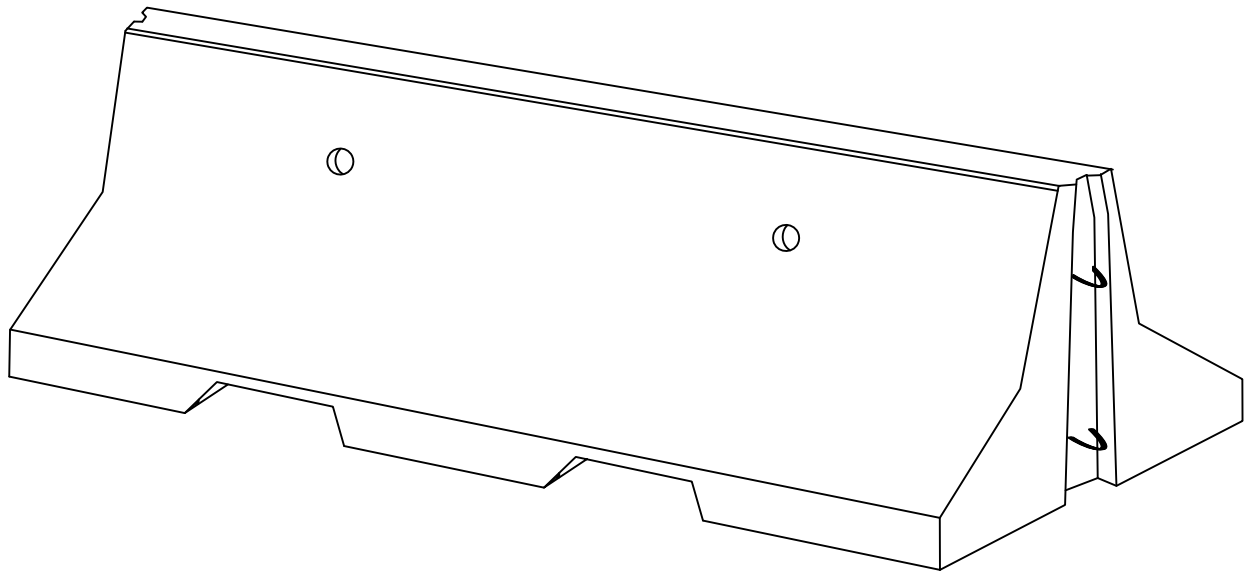


# WIGGIN MEANS PRECAST CO., INC.

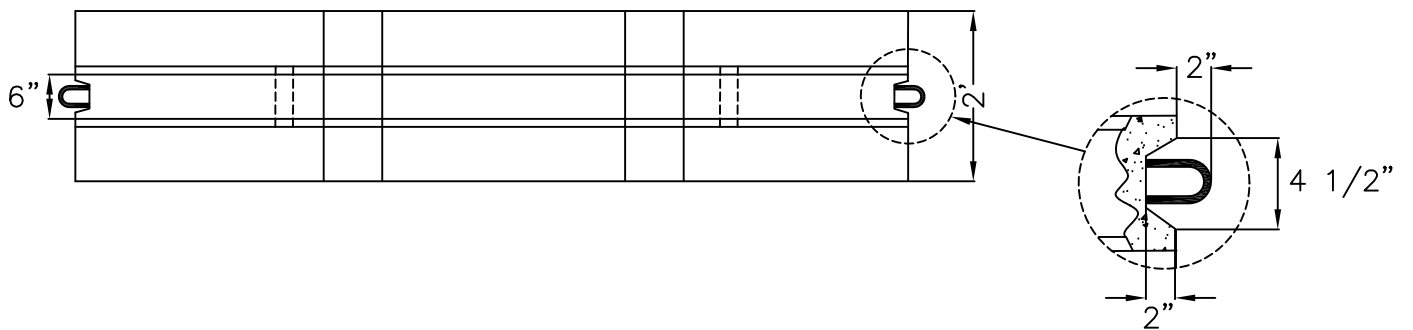
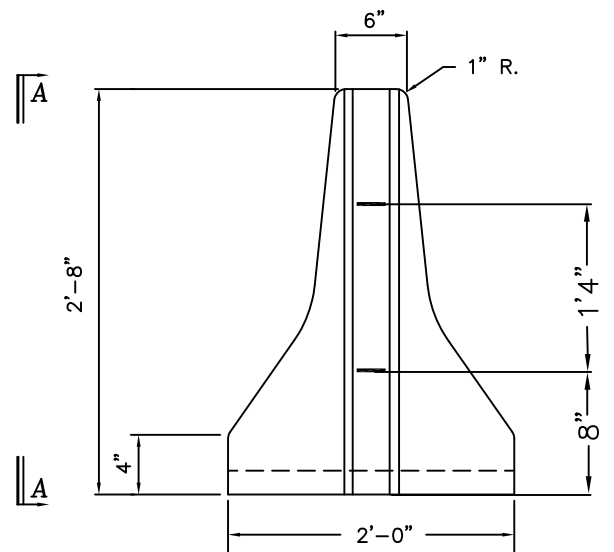
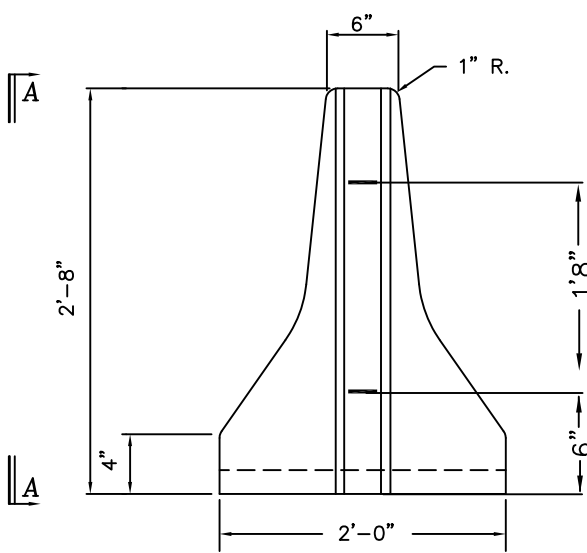
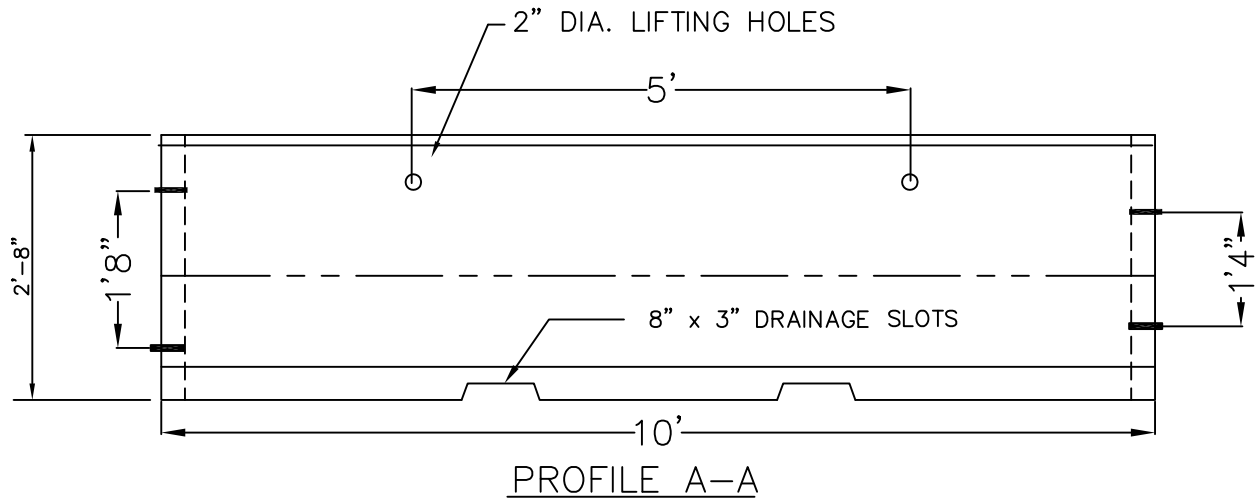
P.O. BOX 1507 POCASSET, MASSACHUSETTS 02559

TEL: 508.564.6776 FAX: 508.564.6770

[www.wigginprecast.com](http://www.wigginprecast.com)



## MEDIAN BARRIER DOUBLE FACE



## SPECIFICATIONS

- 1.) CONCRETE 4,000 PSI AFTER 28 DAYS.
- 2.) 5/8" DIA. RE-BAR BENT TO RECEIVE 1" DIA. CONNECTING ROD.
- 3.) LIFTING HOLE ACCEPTS 1 3/4" DIA. H.T. ROD
- 4.) WEIGHT 4000 LBS