

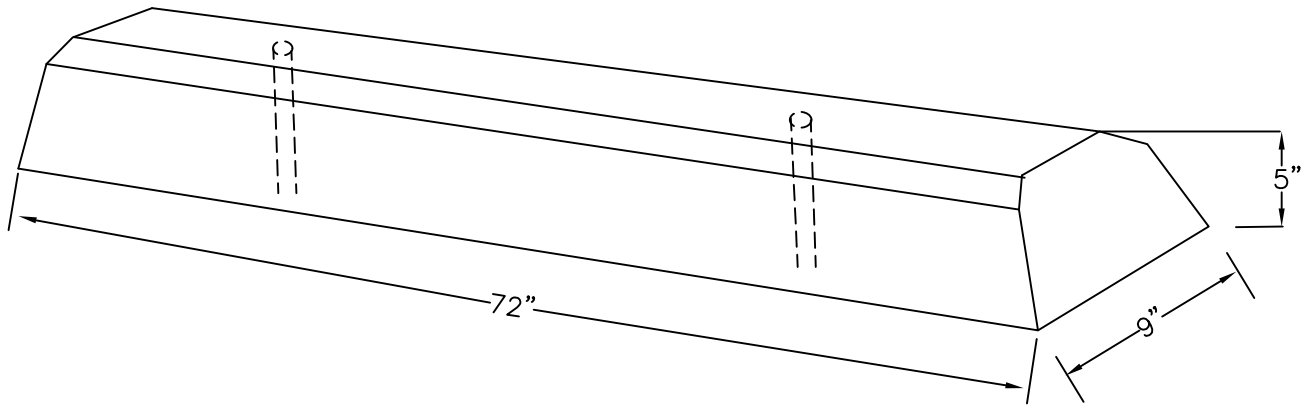


WIGGIN MEANS PRECAST CO., INC.

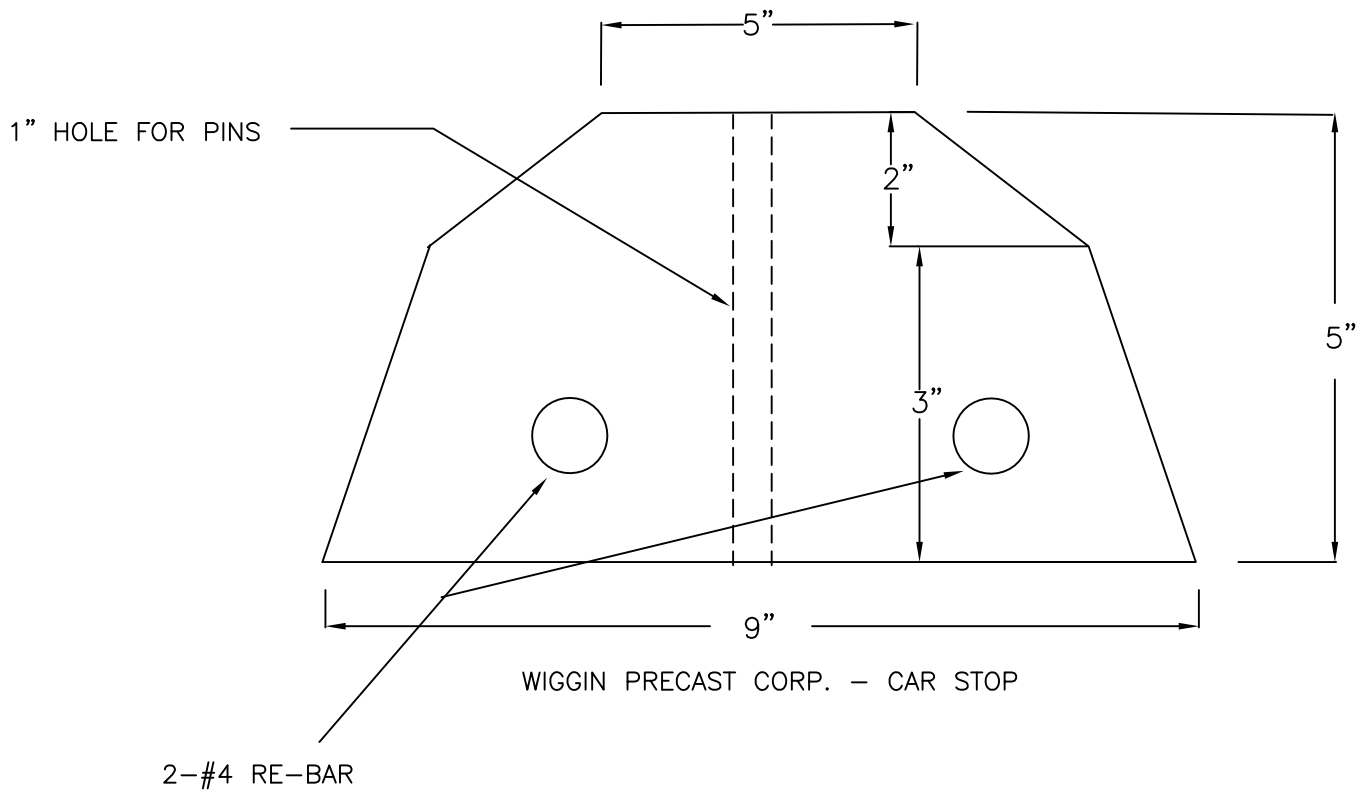
P.O. BOX 1507 POCASSET, MASSACHUSETTS 02559

TEL: 508.564.6776 FAX: 508.564.6770

www.wigginprecast.com



CAR STOP



SPECIFICATIONS

- 1.) CONCRETE STRENGTH 4,000 PSI @ 28 DAYS.
- 2.) APPROXIMATE WEIGHT 210 LBS.