

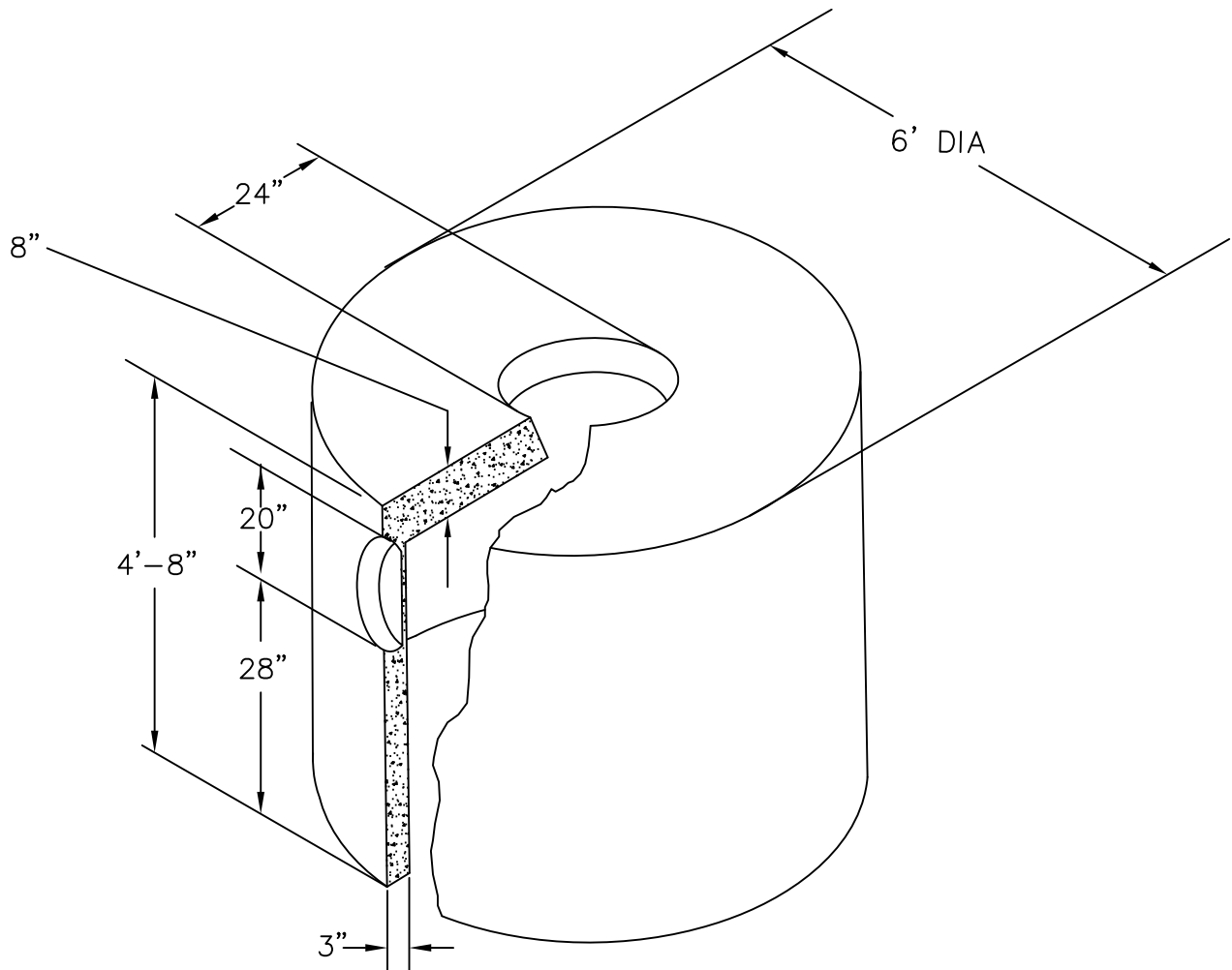


# WIGGIN MEANS PRECAST CO., INC.

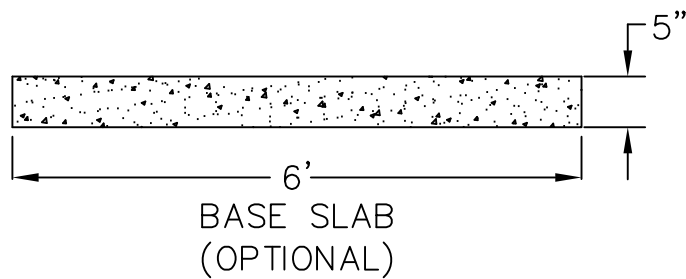
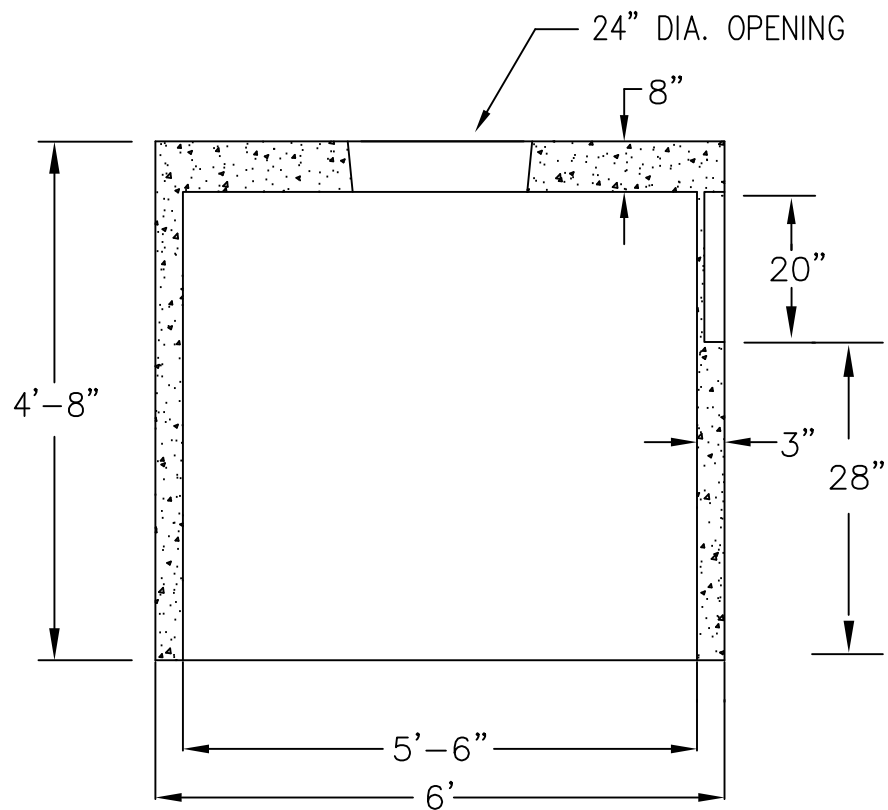
P.O. BOX 1507 POCASSET, MASSACHUSETTS 02559

TEL: 508.564.6776 FAX: 508.564.6770

[www.wigginprecast.com](http://www.wigginprecast.com)



## 600 GALLON CATCH BASIN



### SPECIFICATIONS

- 1.) CONCRETE STRENGTH F'C 5000 PSI @ 28 DAYS.
- 2.) CEMENT, PORTLAND TYPE I OR III. ASTM C150-81.
- 3.) ADMIXTURES, AIR & PLASTICIZERS @ ASTM C233-82.
- 4.) REINFORCEMENT PER ASTM C1227-93
- 5.) DESIGN LOADING AASHTO HS20-44 - WEIGHT 5,332 LBS