

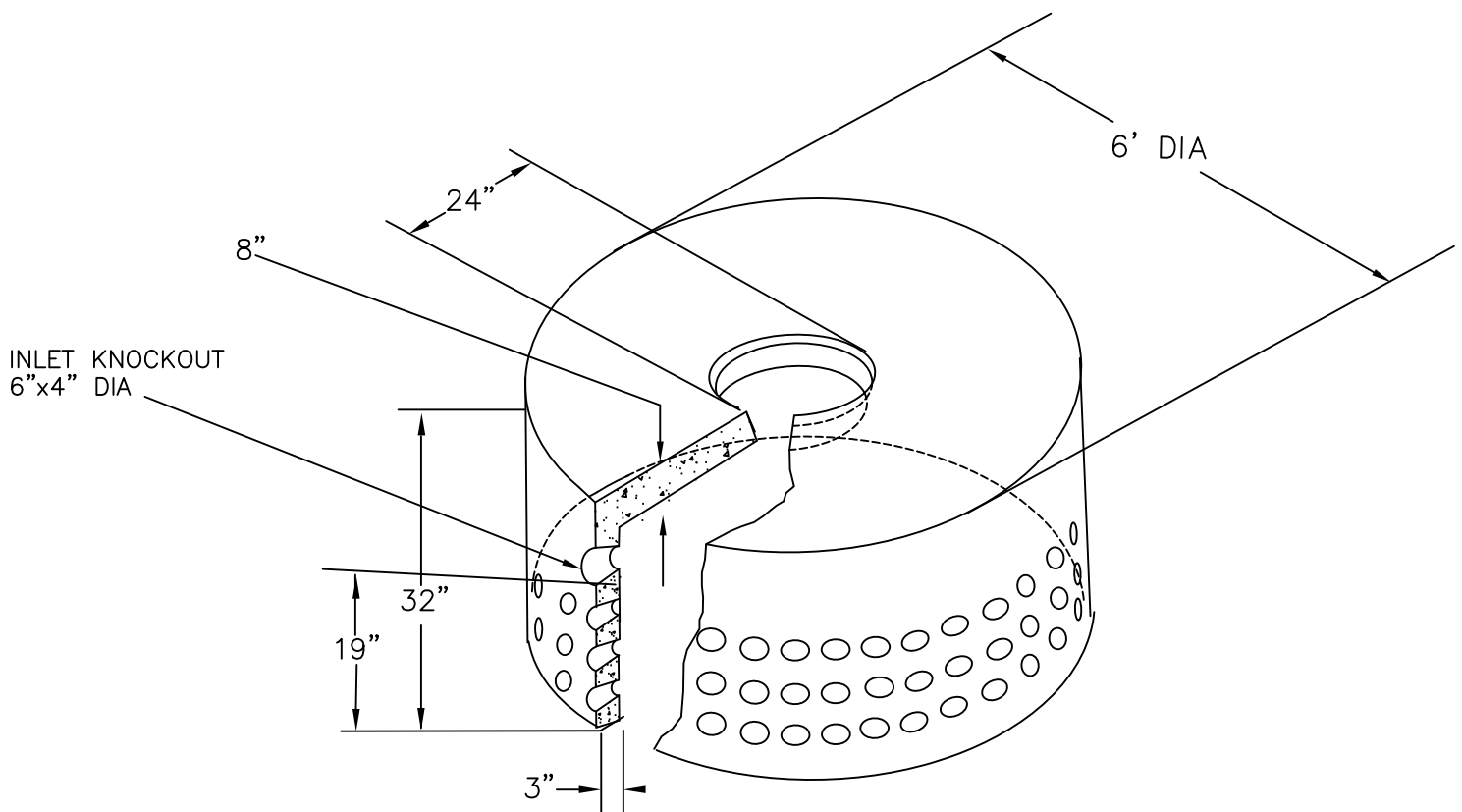


WIGGIN MEANS PRECAST CO., INC.

P.O. BOX 1507 POCASSET, MASSACHUSETTS 02559

TEL: 508.564.6776 FAX: 508.564.6770

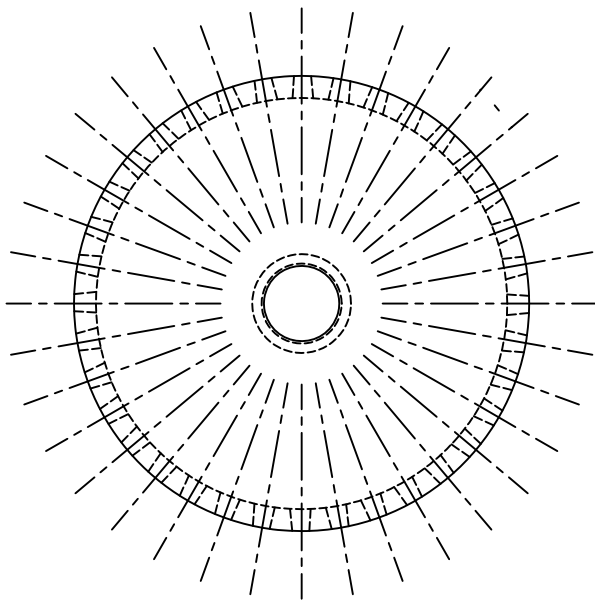
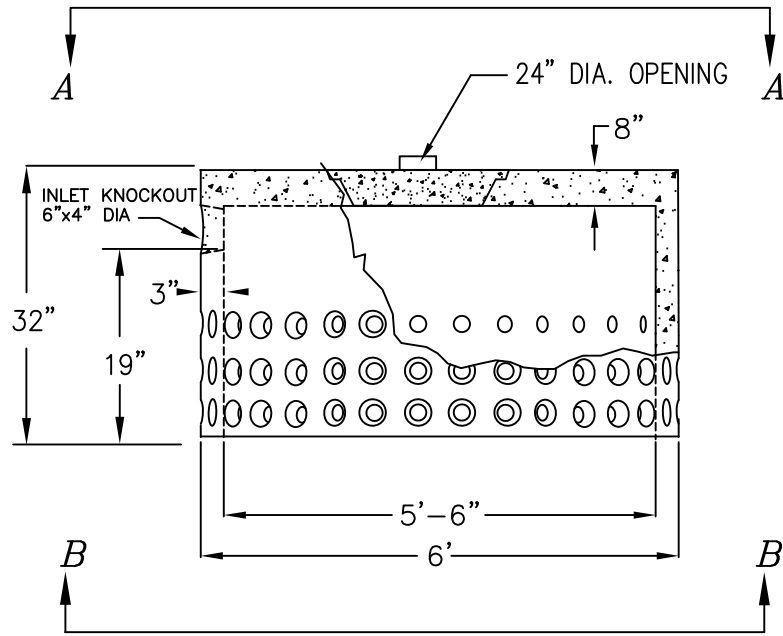
www.wigginprecast.com



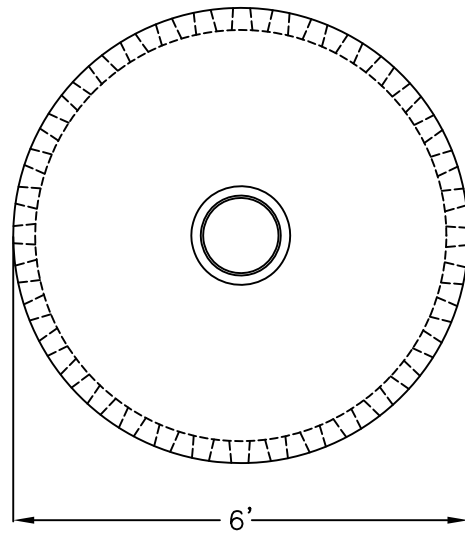
250 GALLON LEACH PIT

H-20

LP250H



SECTION B-B



SECTION A-A

SPECIFICATIONS

- 1.) CONCRETE STRENGTH F'C 5,000 PSI @ 28 DAYS.
- 2.) CEMENT, PORTLAND TYPE I OR III. ASTM C150-81.
- 3.) STEEL REINFORCEMENT PER ASTM A-615 GRADE 60
- 4.) DESIGN LOADING PER AASHO HS-20
- 5.) WEIGHT 3822 LBS