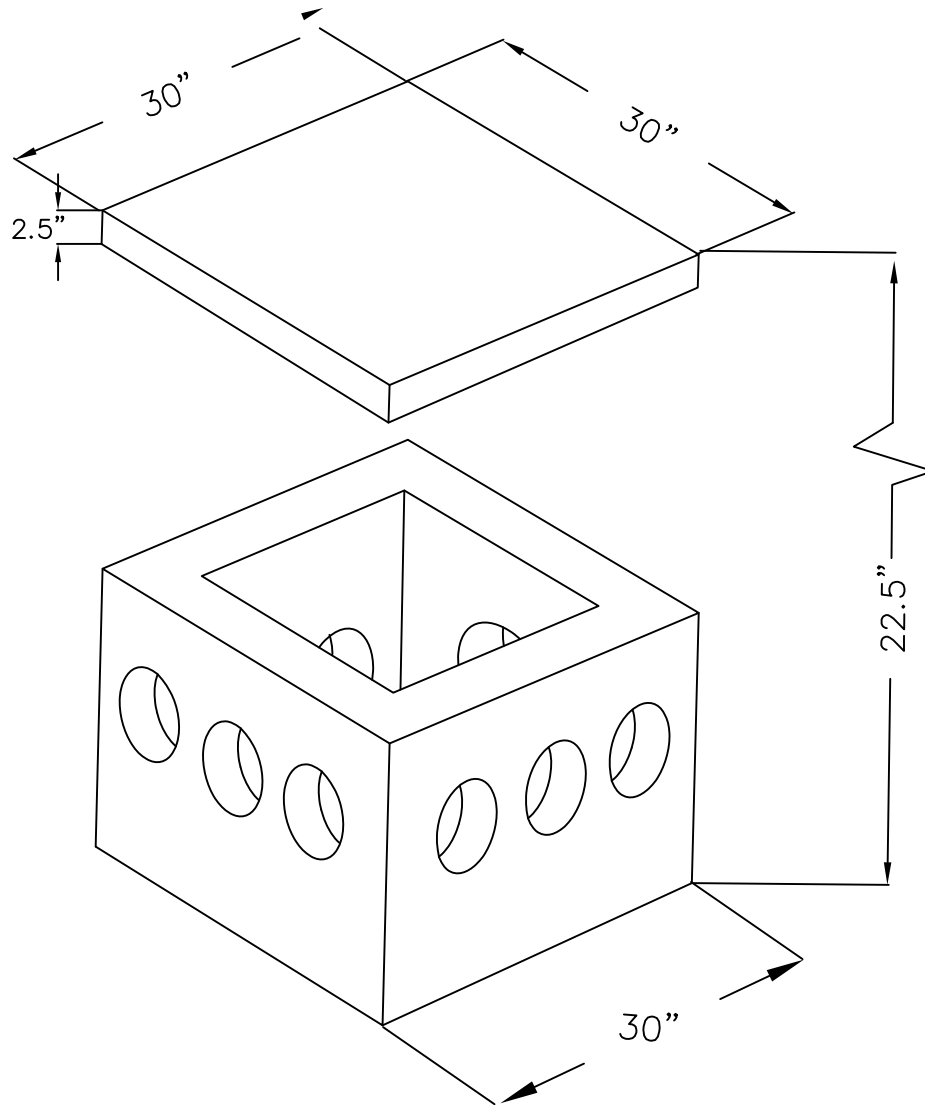


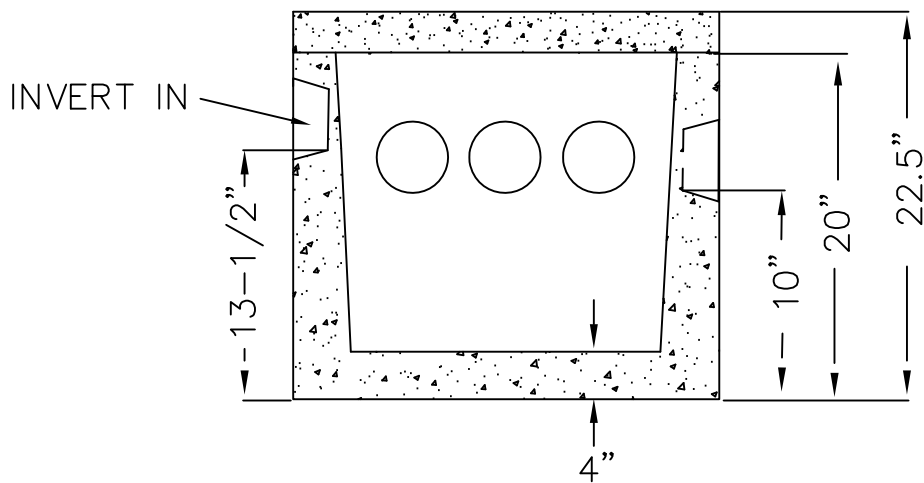
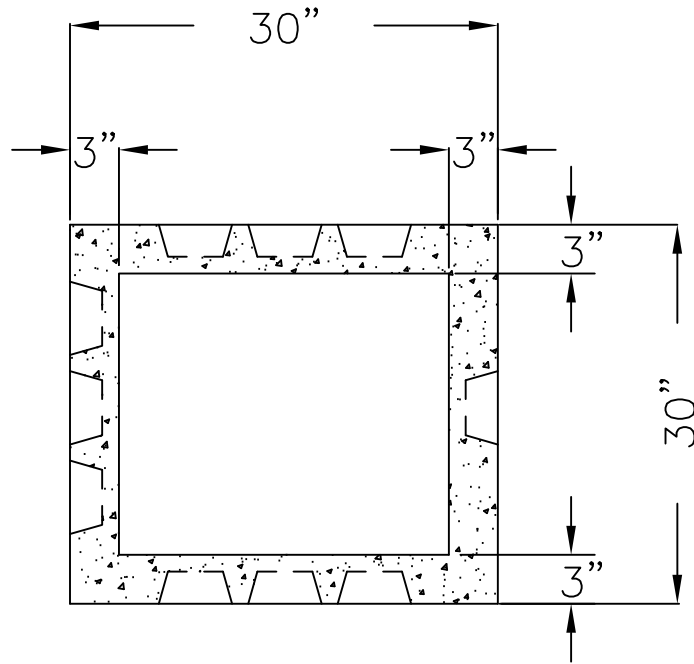


WIGGIN MEANS PRECAST CO., INC.

P.O. BOX 1507 POCASSET, MASSACHUSETTS 02559
TEL: 508.564.6776 FAX: 508.564.6770
www.wigginprecast.com



DB-9
DISTRIBUTION BOX: 9 OUTLET
H-10



SPECIFICATIONS

- 1.) CONCRETE STRENGTH 4,000 PSI @ 28 DAYS.
- 2.) CEMENT, PORTLAND TYPE II PER ASTM C150-81
- 3.) STEEL REINFORCEMENT PER ASTM A-615. GRADE 60.
- 4) 8" & 15" RISER SECTIONS AVAILABLE
- 5) OPTIONAL CIRCULAR SERVICE COVER
- 6) WEIGHT 733 LBS