

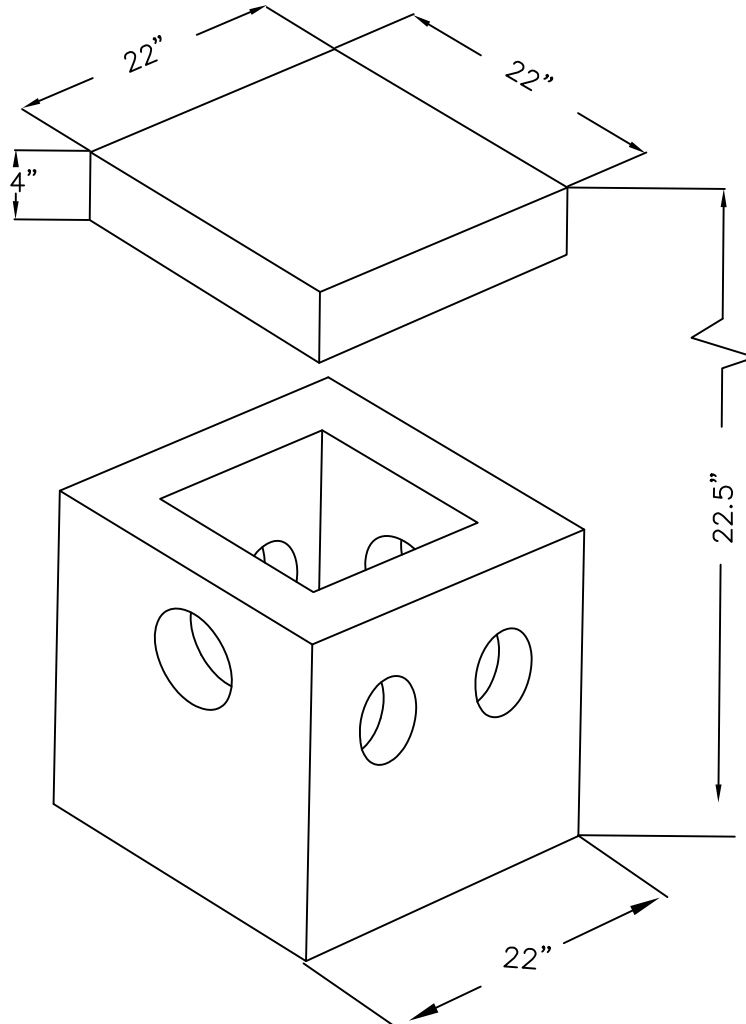


WIGGIN MEANS PRECAST CO., INC.

P.O. BOX 1507 POCASSET, MASSACHUSETTS 02559

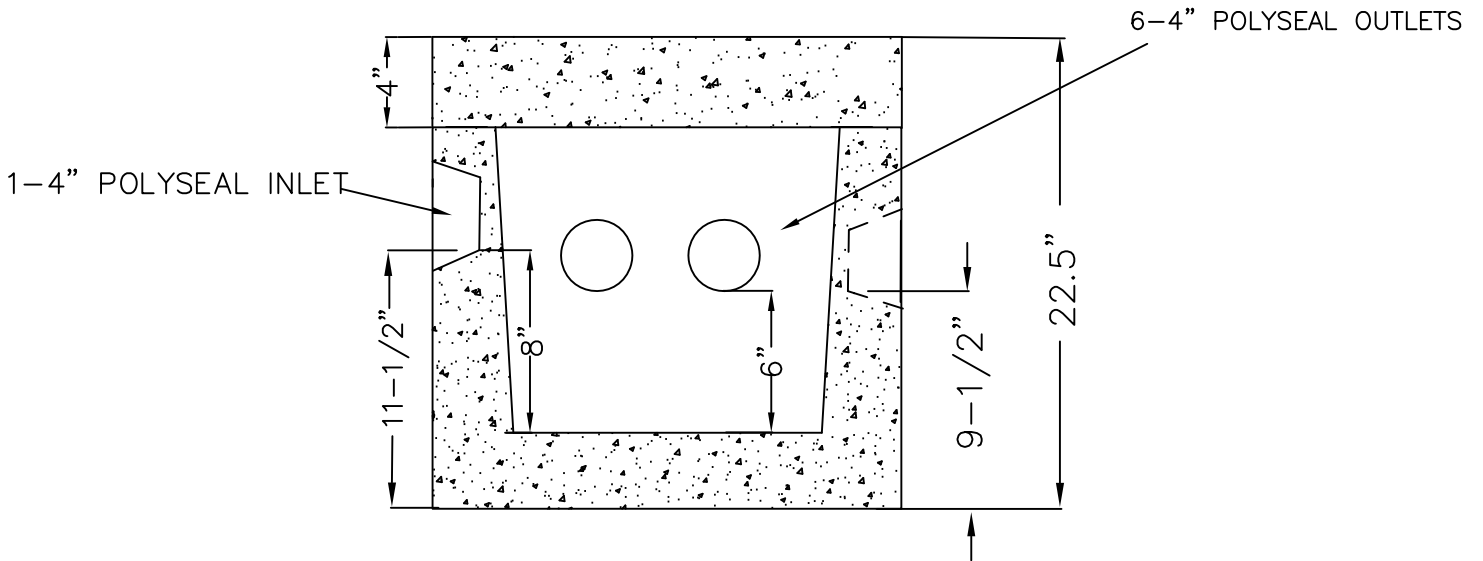
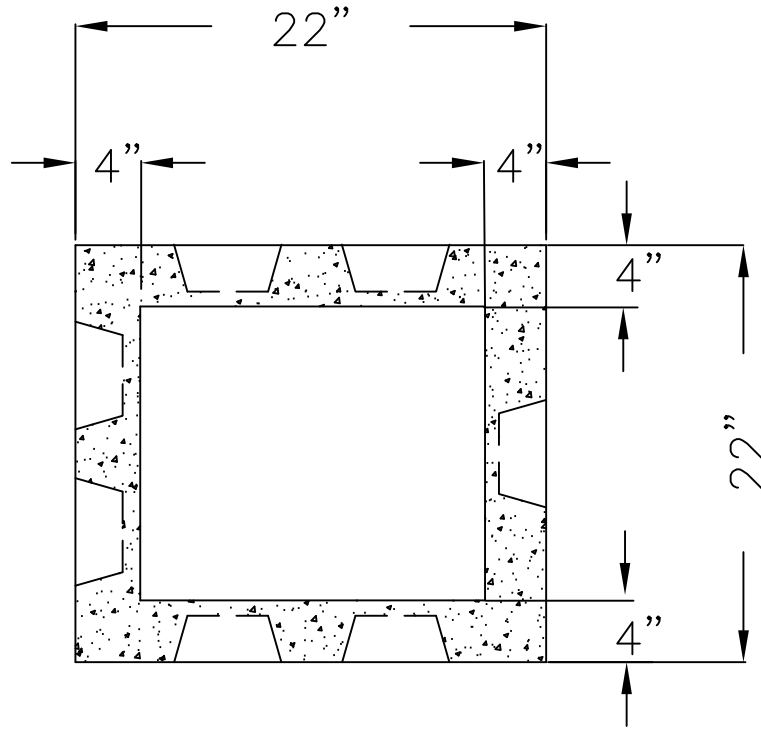
TEL: 508.564.6776 FAX: 508.564.6770

www.wigginprecast.com



DB-6 H-20
DISTRIBUTION BOX: 6 OUTLET H-20

DB6H



SPECIFICATIONS

- 1.) CONCRETE STRENGTH 5,000 PSI @ 28 DAYS.
- 2.) CEMENT, PORTLAND TYPE II PER ASTM C150-81
- 3.) REINFORCEMENT PER ASTM C1227-93
- 4.) 8" AND 15" RISER SECTIONS AVAILABLE
- 5.) 530 LBS