

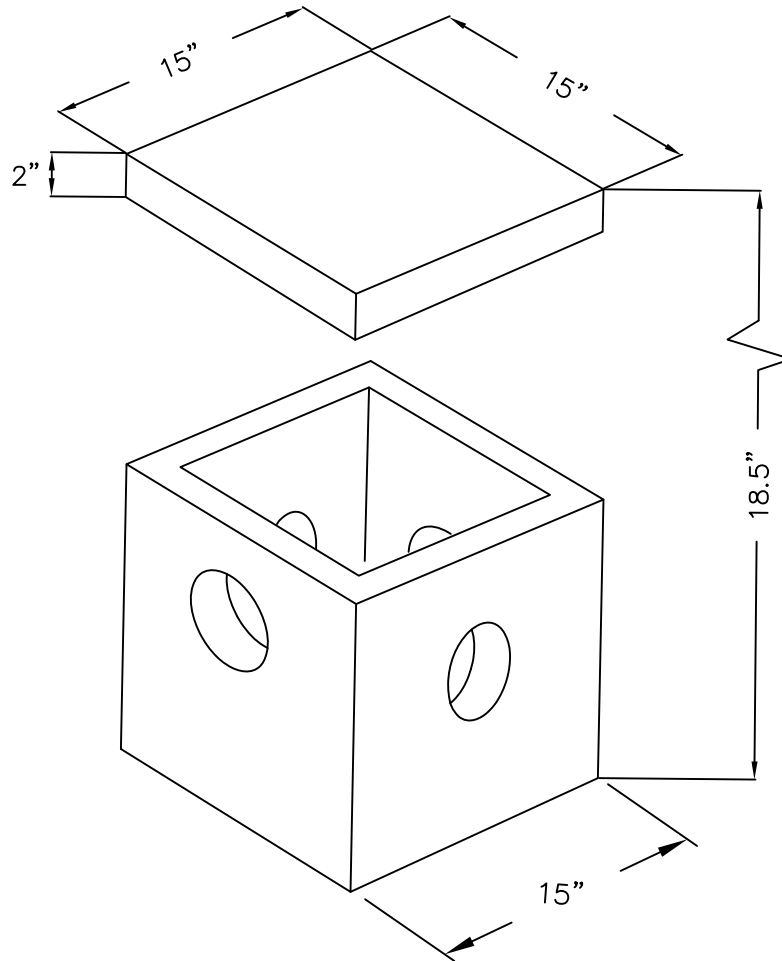


# WIGGIN MEANS PRECAST CO., INC.

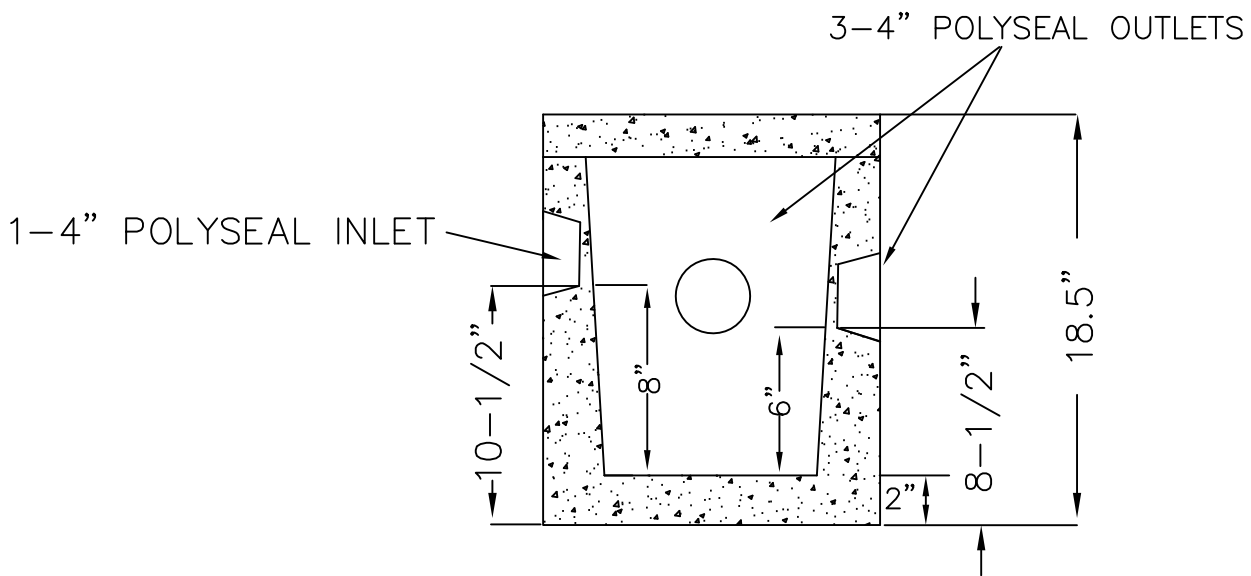
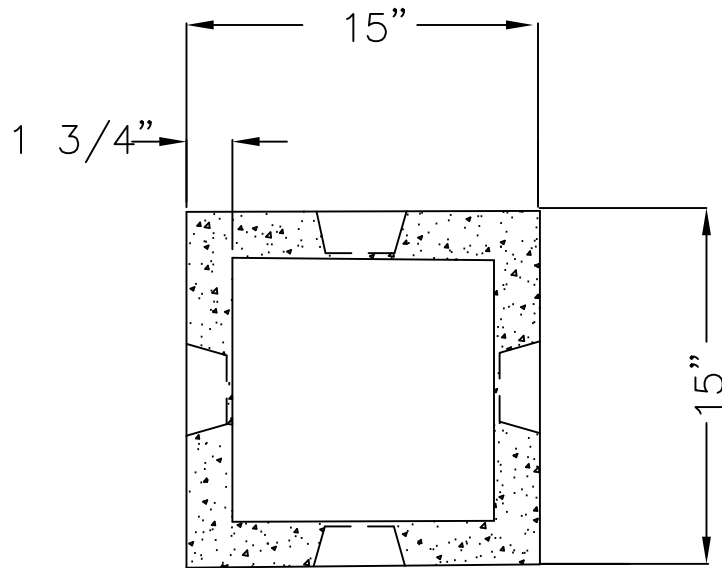
P.O. BOX 1507 POCASSET, MASSACHUSETTS 02559

TEL: 508.564.6776 FAX: 508.564.6770

[www.wigginprecast.com](http://www.wigginprecast.com)



**DB-3**  
**DISTRIBUTION BOX: 3 OUTLET**



## SPECIFICATIONS

- 1.) CONCRETE STRENGTH 4,000 PSI @ 28 DAYS.
- 2.) CEMENT, PORTLAND TYPE II PER ASTM C150-81
- 3.) REINFORCEMENT PER ASTM C1227-93
- 4.) 8" & 15" RISER SECTIONS AVAILABLE, RISER BASE AVAILABLE
- 5.) WEIGHT 125 LBS