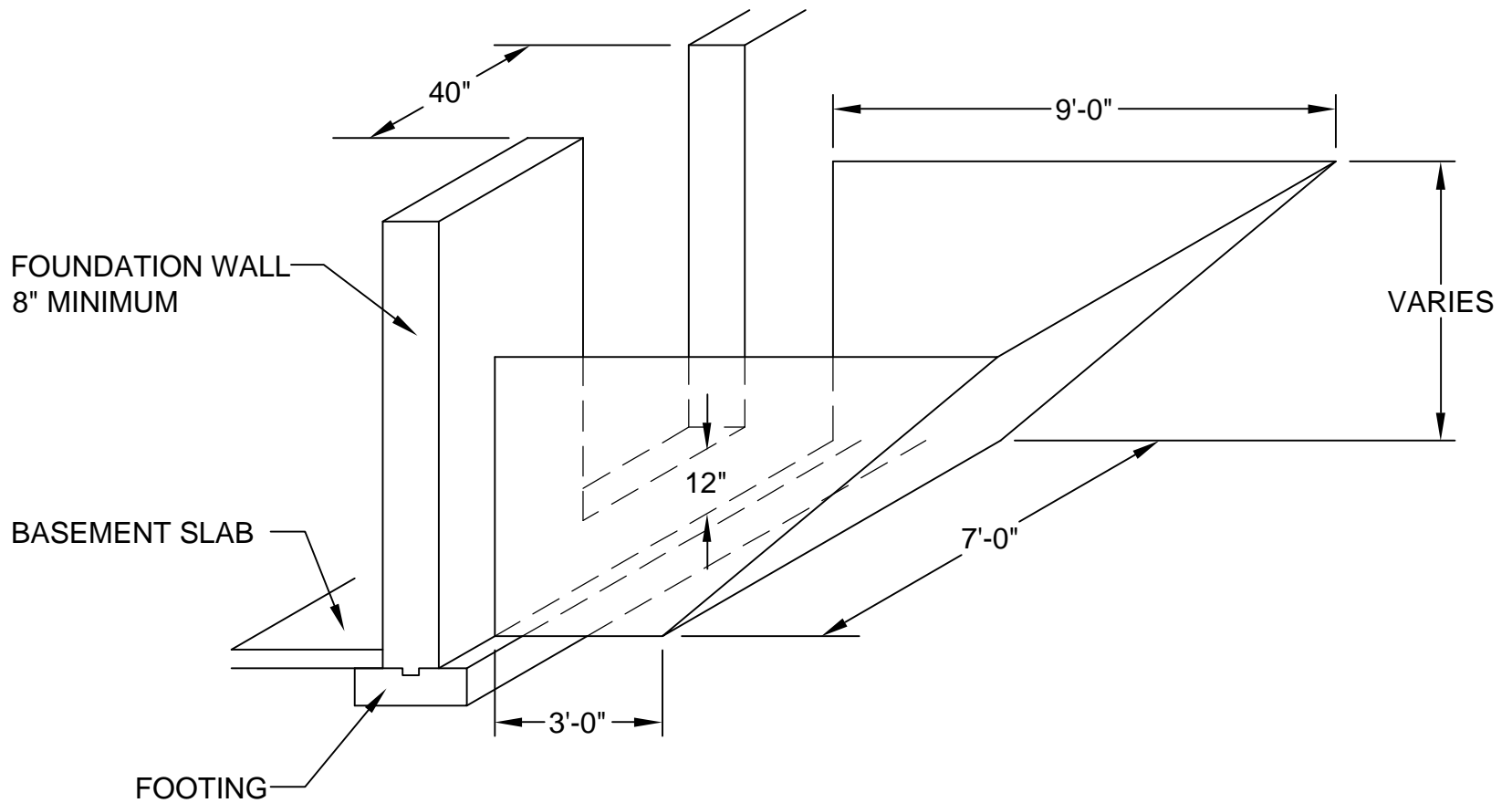


# BULKHEAD EXCAVATION AND CONCRETE WALL REQUIREMENTS



## HOW TO MEASURE

1. DETERMINE HEIGHT OF FINISH GRADE
2. MEASURE FROM TOP OF FOOTING TO FINISH GRADE
3. SELECT BULKHEAD THAT WILL BE 2" - 6" ABOVE GRADE.

**MEANS PRE-CAST CO, INC.**  
151 ADAMS STEEET, BRAINTREE, MA 02184

STYLE NUMBER

FOR ADDITIONAL INFORMATION CALL 781-843-1909