

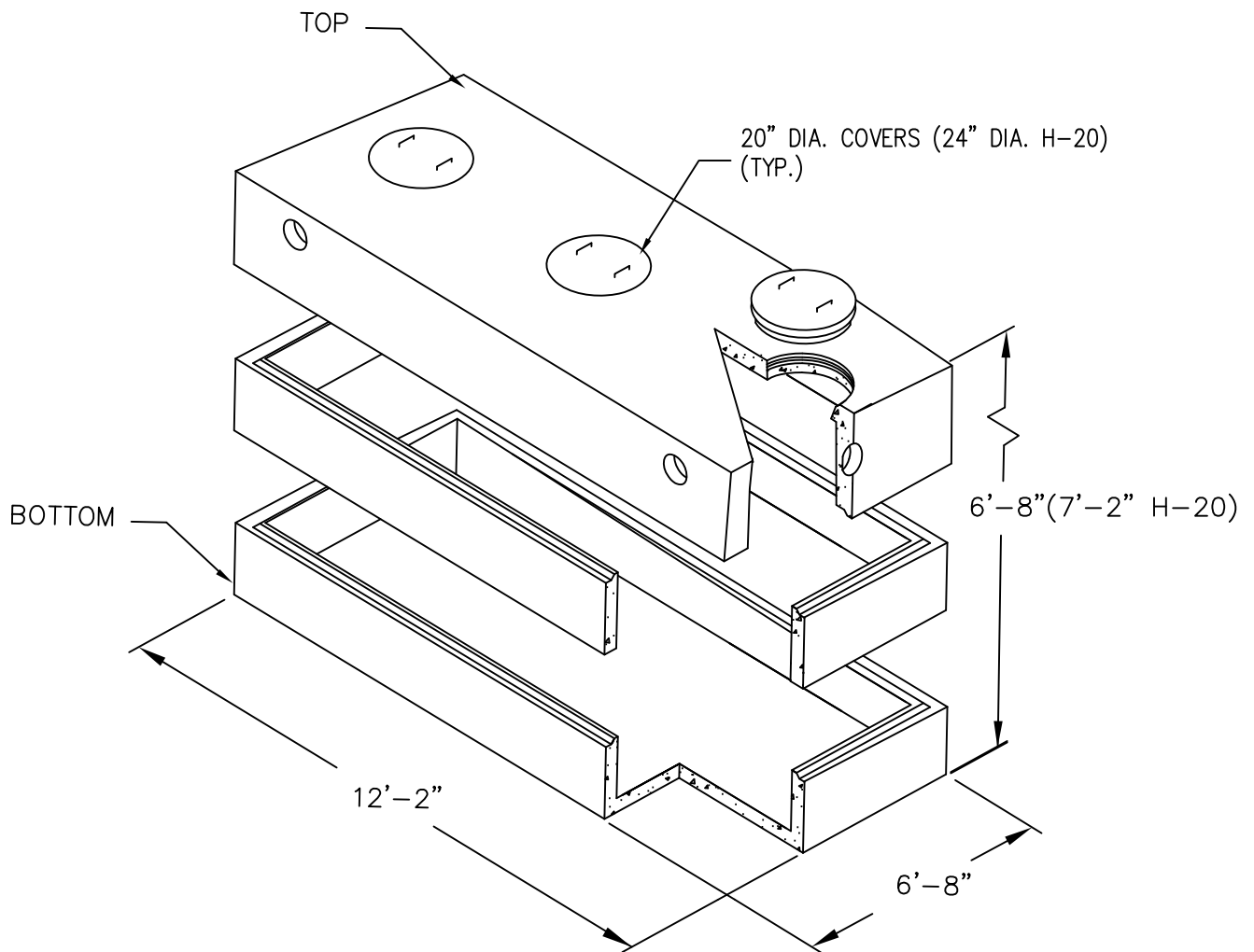


# WIGGIN MEANS PRECAST CO., INC.

P.O. BOX 1507 POCASSET, MASSACHUSETTS 02559

TEL: 508.564.6776 FAX: 508.564.6770

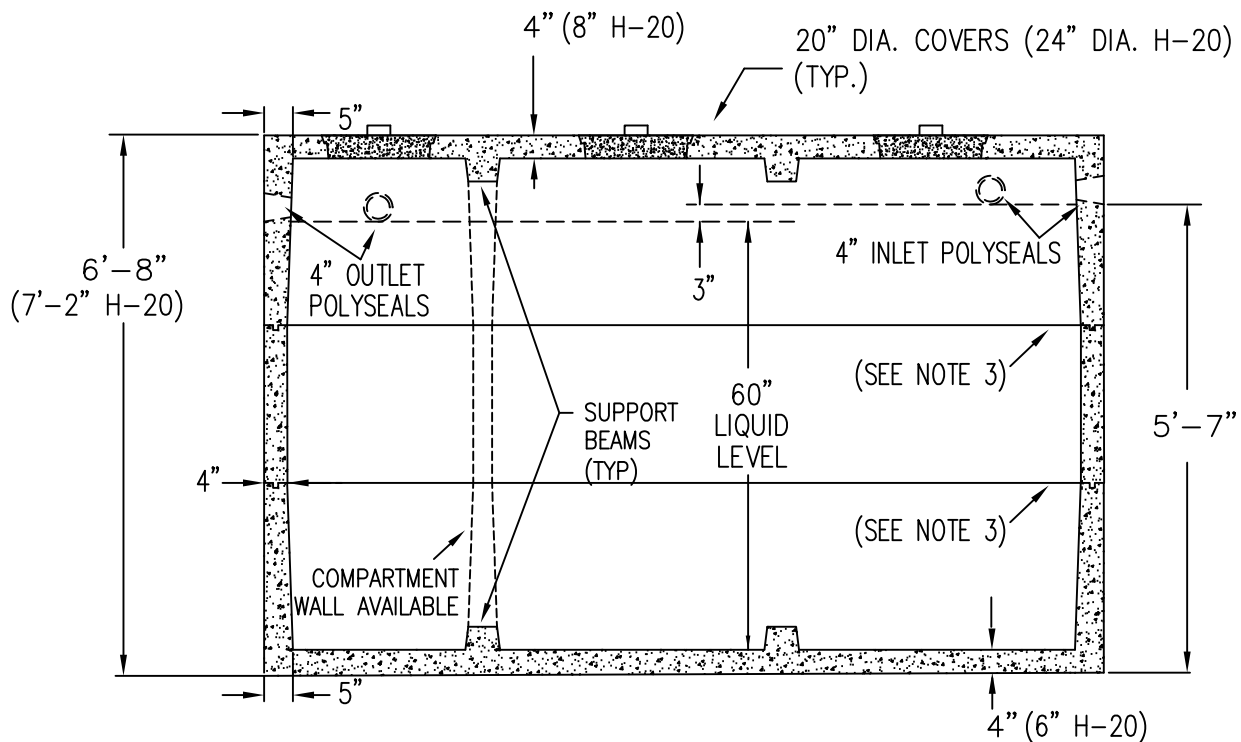
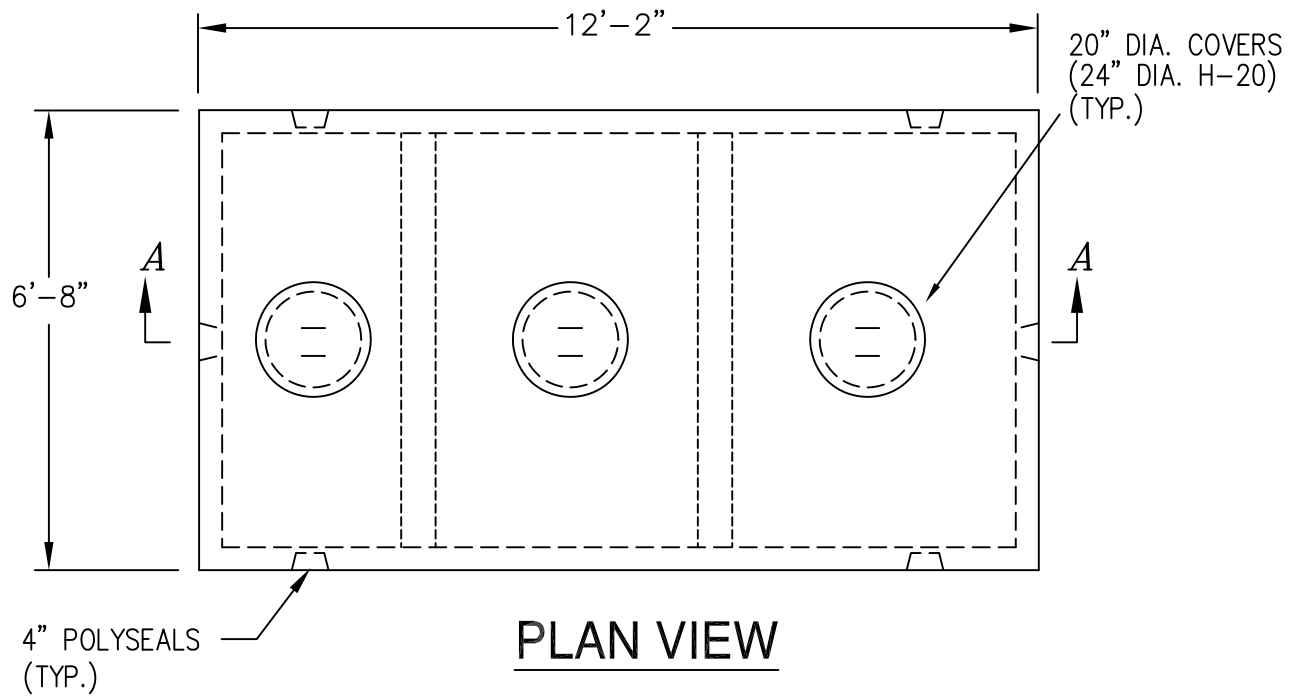
[www.wigginprecast.com](http://www.wigginprecast.com)



## 2,500 GALLON PRECAST SEPTIC TANK AVAILABLE IN 2 COMPARTMENT

T2500

T2500H



## CROSS SECTION A-A

### SPECIFICATIONS

- 1.) CONCRETE 4,000 PSI AFTER 28 DAYS.
- 2.) CONSTRUCTION CONFORMS TO DEP TITLE V REGS.  
310 CMR SECTION 15.226.
- 3.) TONGUE & GROOVE JOINT SEALED W/ BUTYL RESIN.
- 4.) REINFORCEMENT PER ASTM C1227-93.
- 5.) ALSO AVAILABLE IN H-20 LOADING.
- 6.) WEIGHT H-10 19,564 LBS, H-20 25,423 LBS