

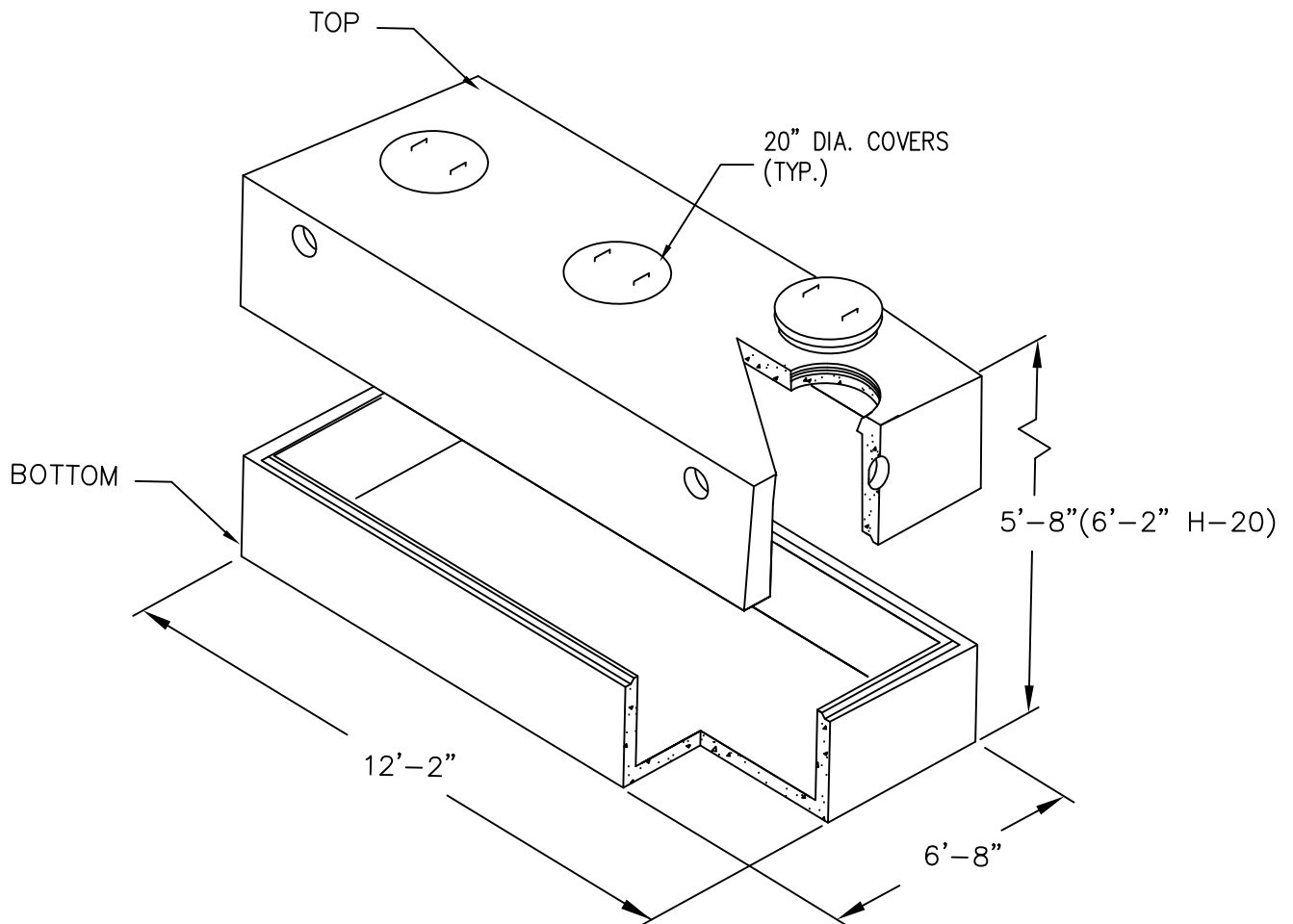


# WIGGIN MEANS PRECAST CO., INC.

P.O. BOX 1507 POCASSET, MASSACHUSETTS 02559

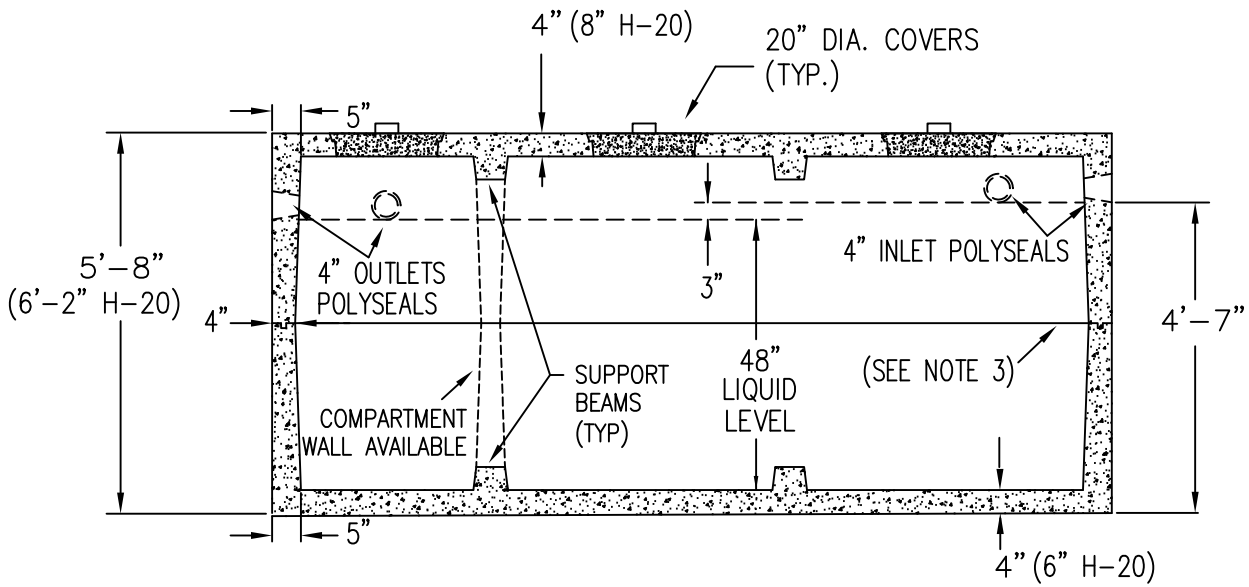
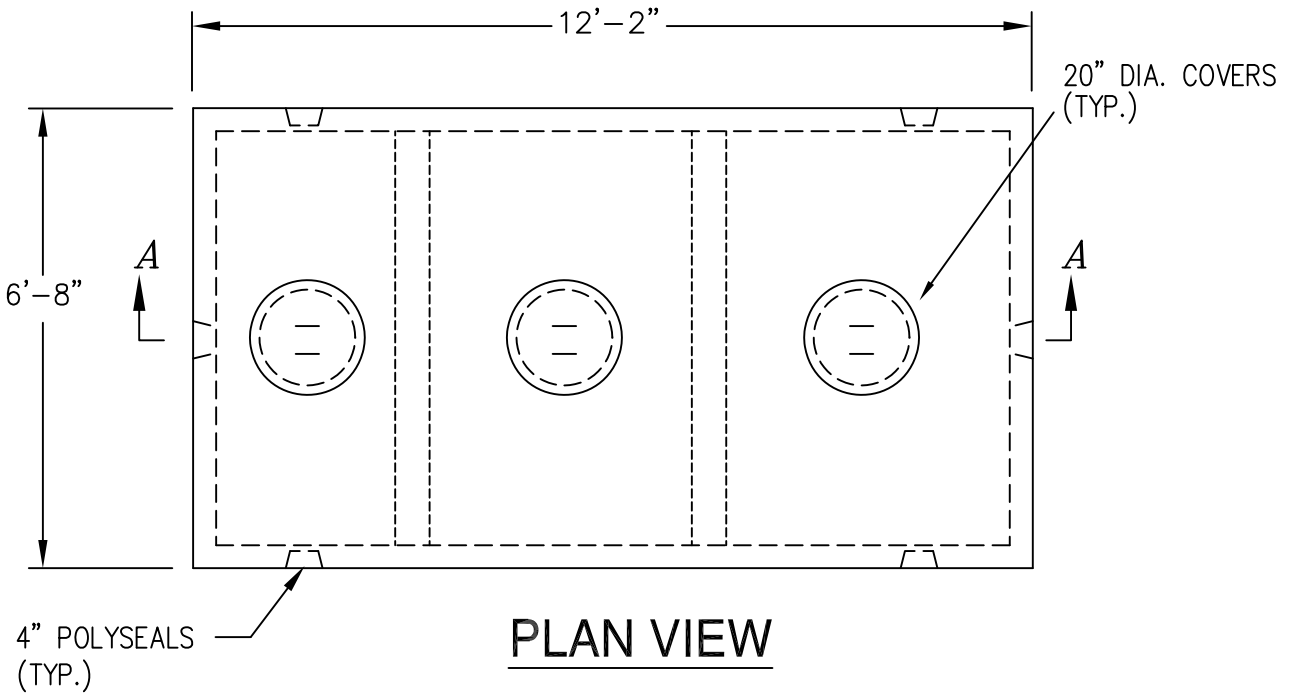
TEL: 508.564.6776 FAX: 508.564.6770

[www.wigginprecast.com](http://www.wigginprecast.com)



## 2,000 GALLON PRECAST SEPTIC TANK AVAILABLE IN 2 COMPARTMENT

T2000  
T2000H



## SPECIFICATIONS

- 1.) CONCRETE 4,000 PSI AFTER 28 DAYS.
- 2.) CONSTRUCTION CONFORMS TO DEP TITLE V REGS. 310 CMR SECTION 15.226.
- 3.) TONGUE & GROOVE JOINT SEALED W/ BUTYL RESIN
- 4.) REINFORCEMENT PER ASTM C1227-93.
- 5.) ALSO AVAILABLE IN H-20 LOADING.
- 6.) AVAILABLE IN TWO COMPARTMENT AS WELL.
- 7.) WEIGHT H-10 17,606 LBS, H-20 23,475 LBS