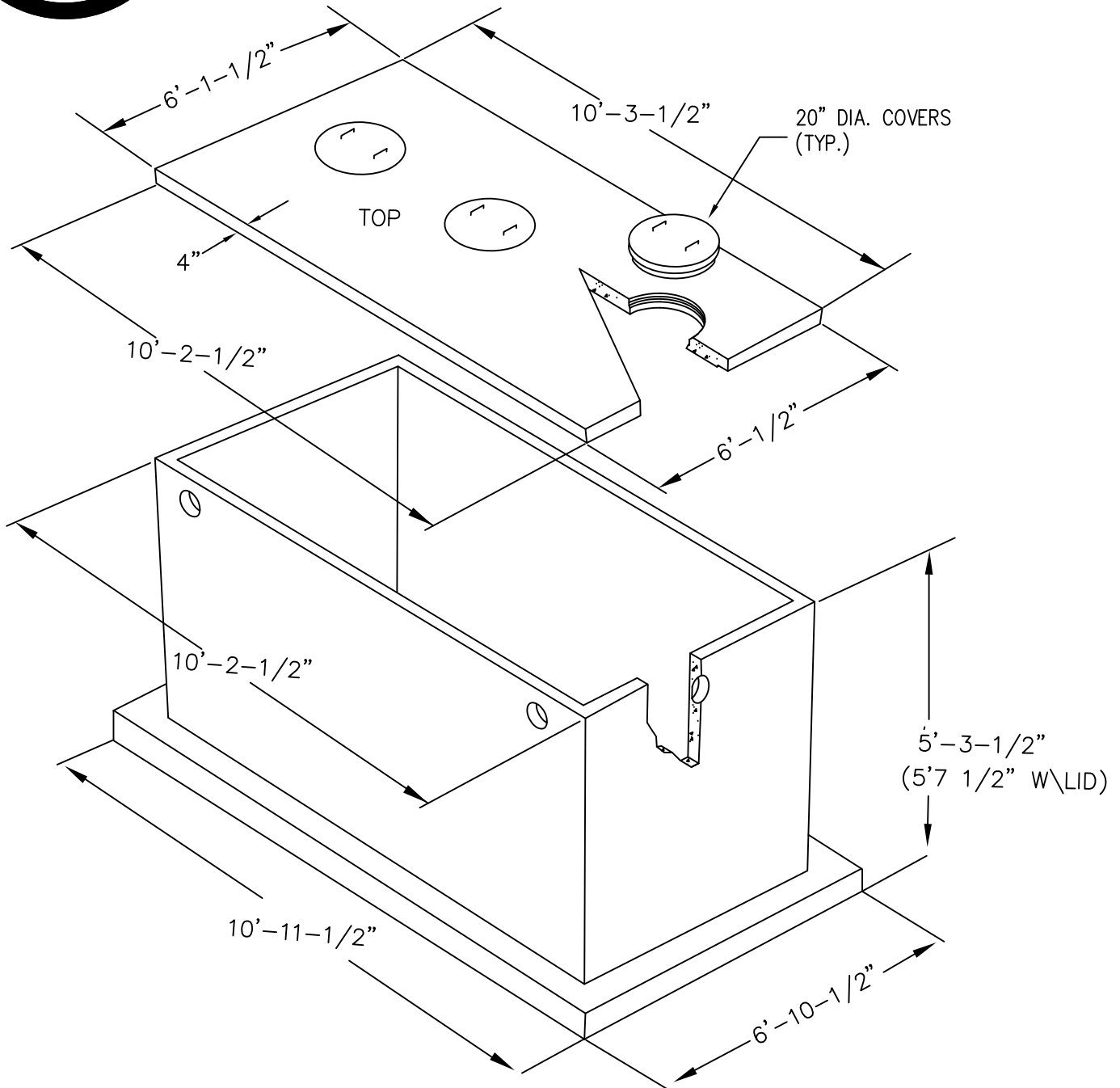




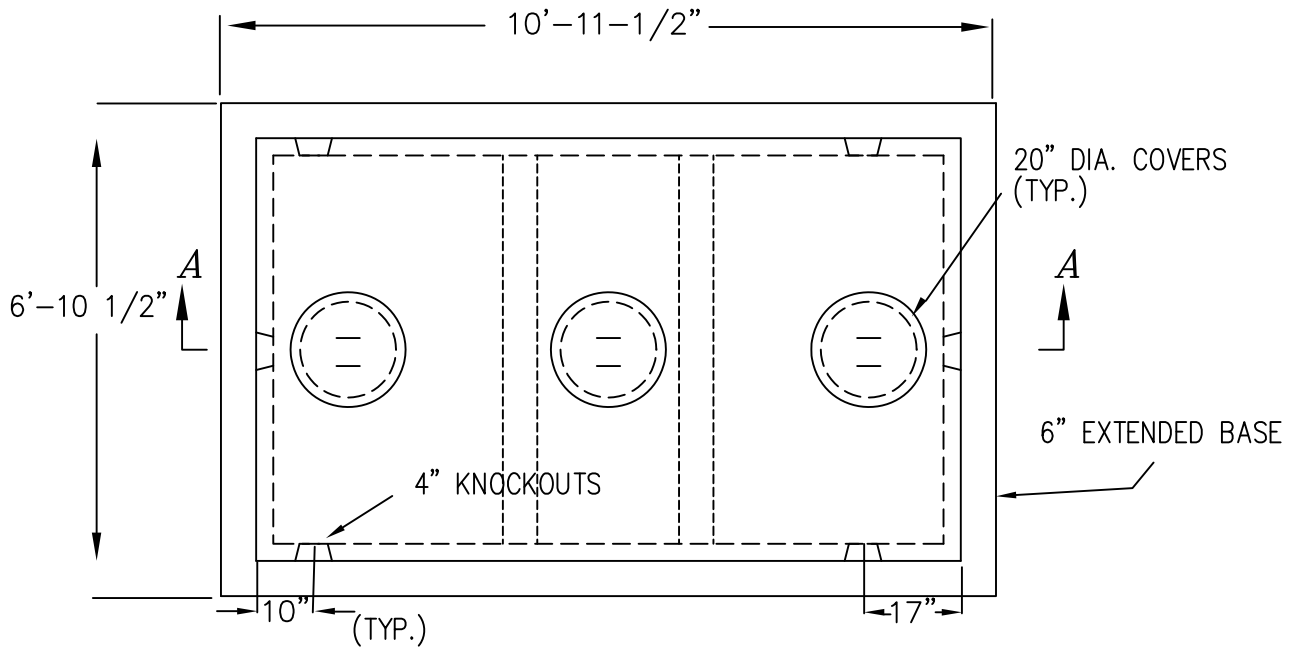
# WIGGIN MEANS PRECAST CO., INC.

P.O. BOX 1507 POCASSET, MASSACHUSETTS 02559  
TEL: 508.564.6776 FAX: 508.564.6770  
www.wigginprecast.com

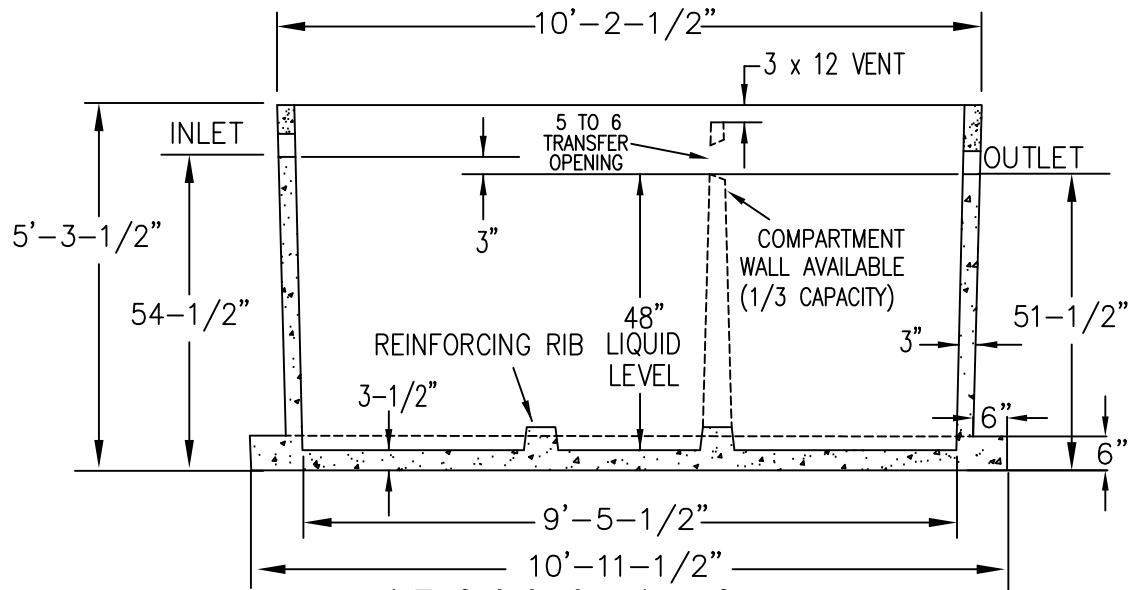


## 1,500 GALLON MONOLITHIC SEPTIC TANK EXTENDED BASE

T1500EB



**PLAN VIEW**



**CROSS SECTION A-A**

**SPECIFICATIONS**

- 1.) CONCRETE 4,000 PSI AFTER 28 DAYS.
- 2.) CONSTRUCTION CONFORMS TO DEP TITLE V REGS. 310 CMR SECTION 15.226.
- 3.) REINFORCEMENT PER ASTM C1227-93.
- 4.) WEIGHT - 12,220 LBS