

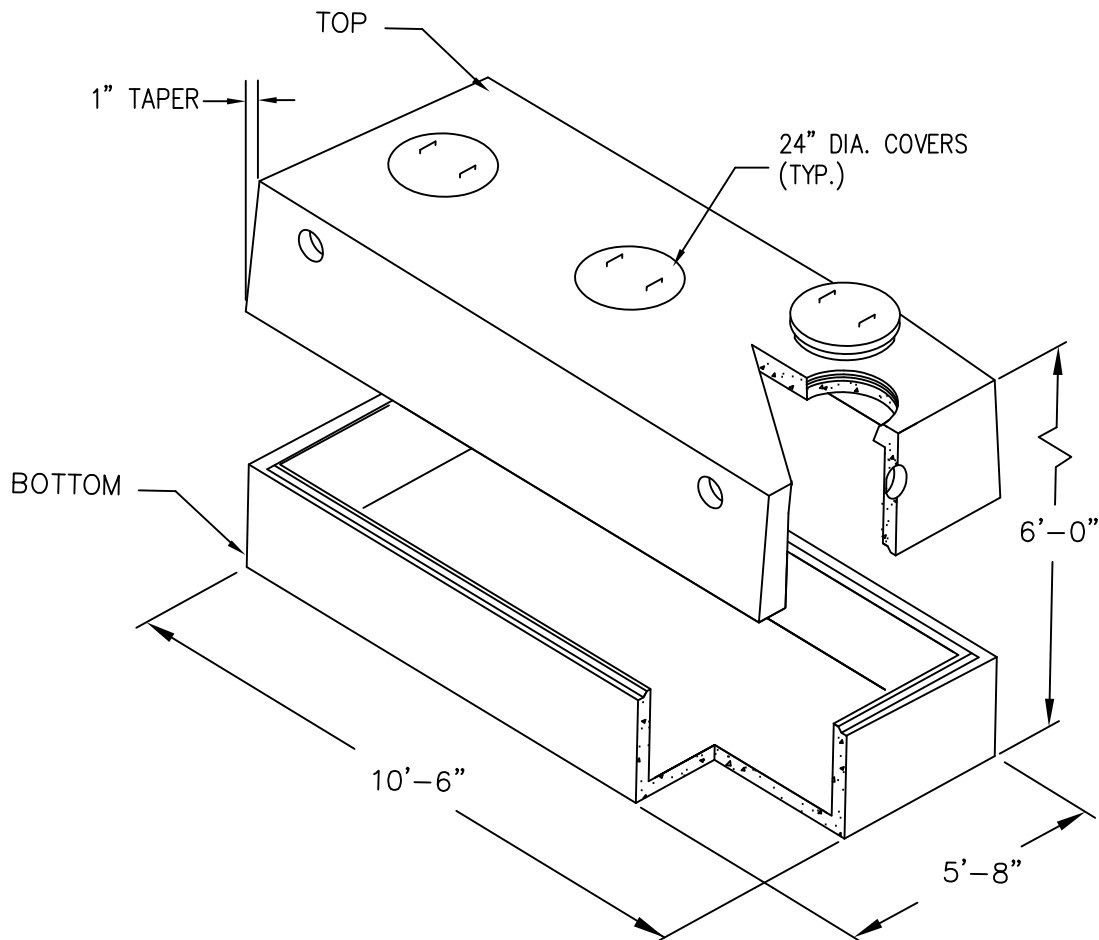


WIGGIN MEANS PRECAST CO., INC.

P.O. BOX 1507 POCASSET, MASSACHUSETTS 02559

TEL: 508.564.6776 FAX: 508.564.6770

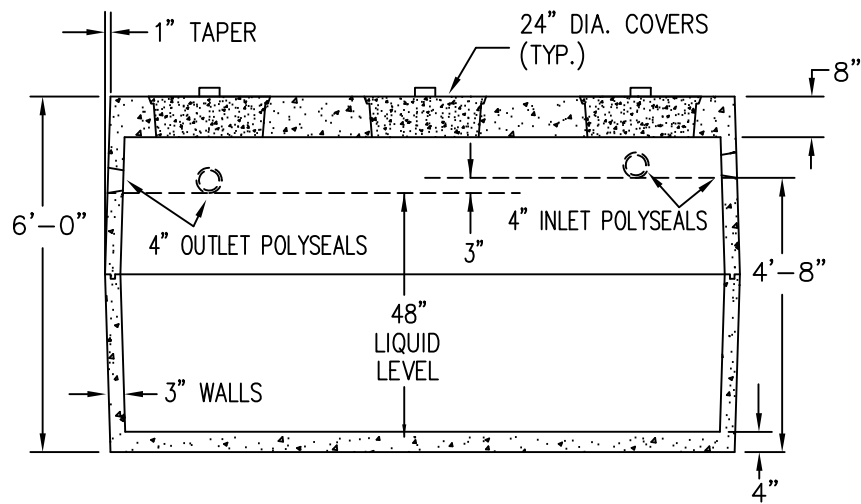
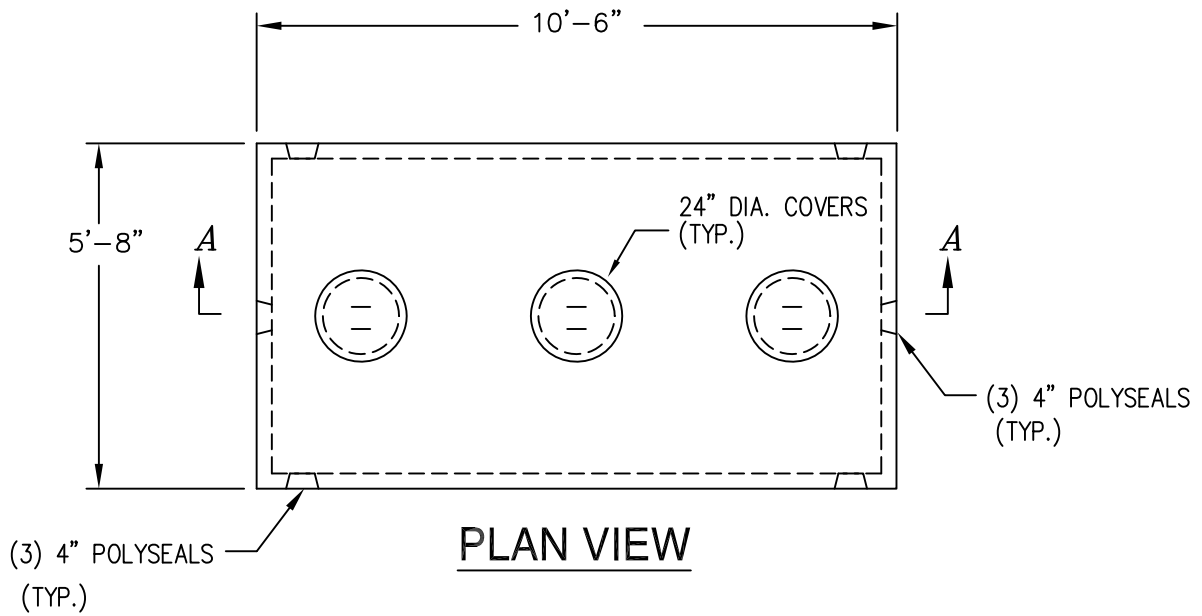
www.wigginprecast.com



1,500 GALLON PRECAST SEPTIC TANK HT

ST 1500 HEAVY TOP

T1500HD



SPECIFICATIONS

- 1.) CONCRETE 5,000 LB PSI AFTER 28 DAYS.
- 2.) CONSTRUCTION CONFORMS TO DEP TITLE V REGS.
310 CMR SECTION 15.226.
- 3.) TONGUE & GROOVE JOINT SEALED W/ BUTYL RESIN
- 4.) REINFORCEMENT PER ASTM C1227-93.
- 5.) WEIGHT 14,252 LBS