

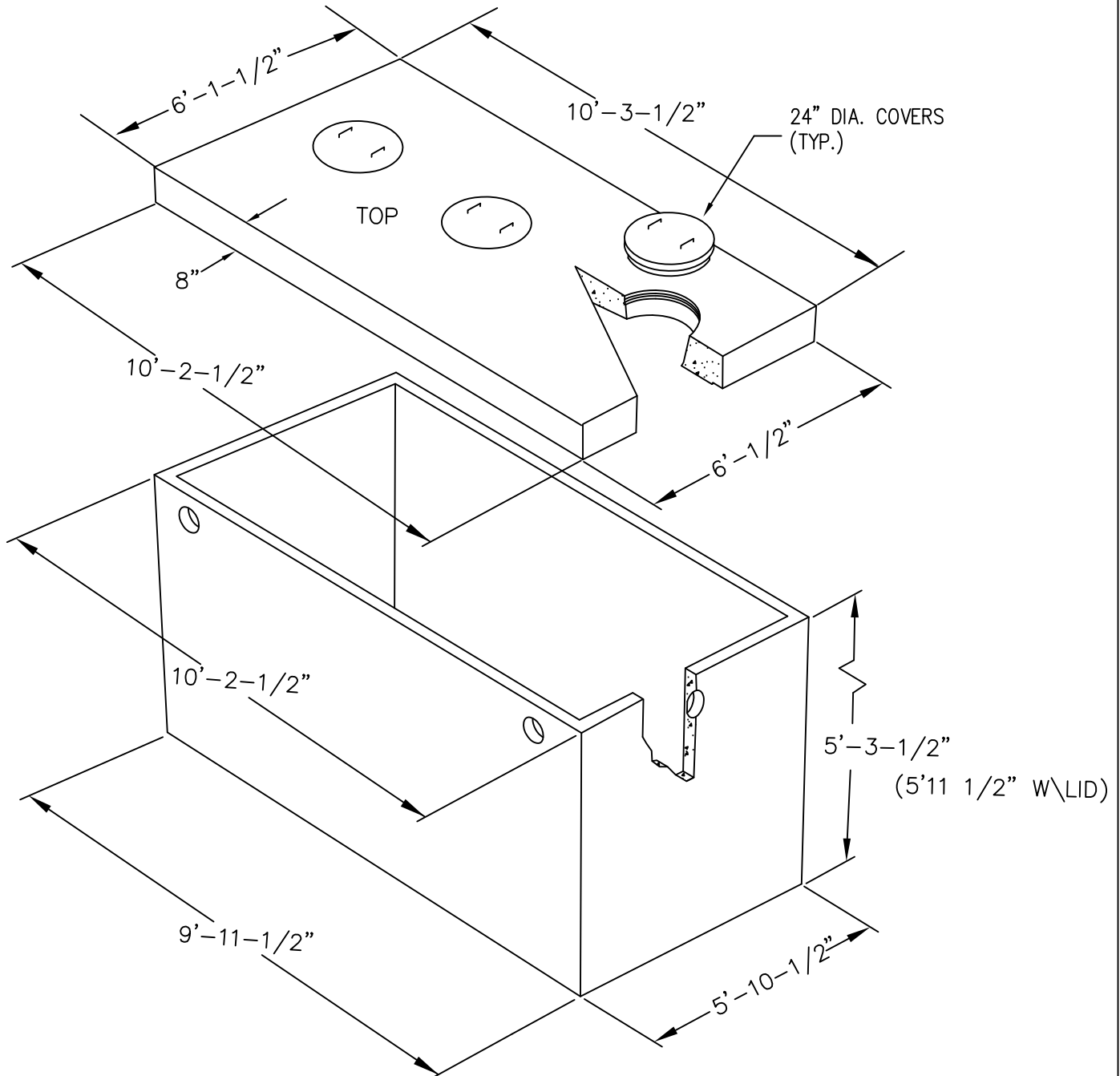


WIGGIN MEANS PRECAST CO., INC.

P.O. BOX 1507 POCASSET, MASSACHUSETTS 02559

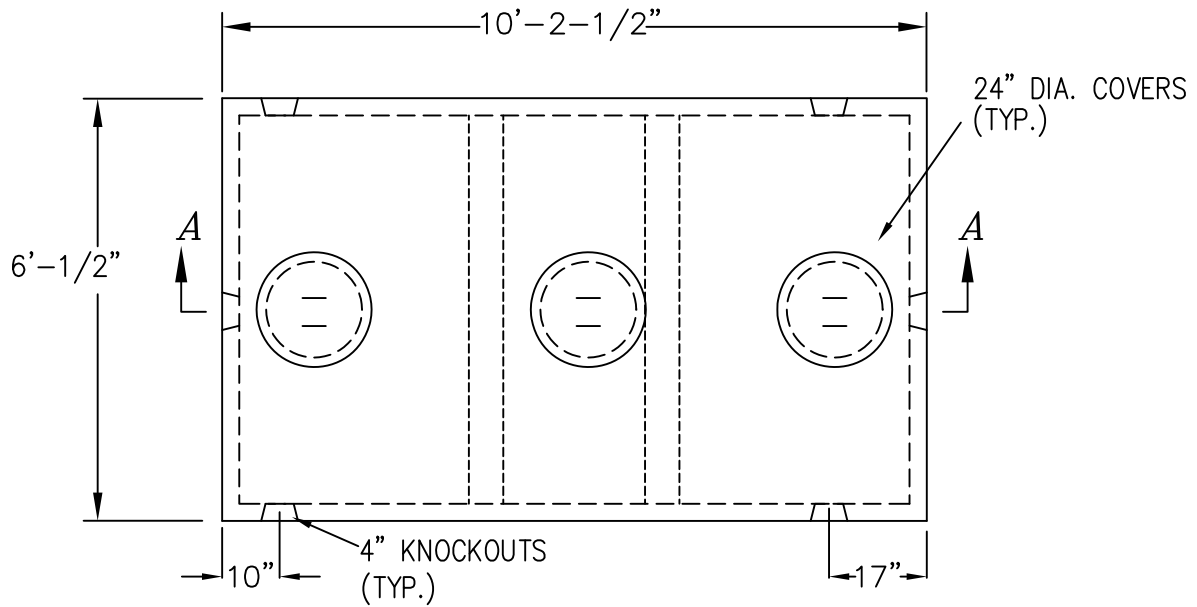
TEL: 508.564.6776 FAX: 508.564.6770

www.wigginprecast.com

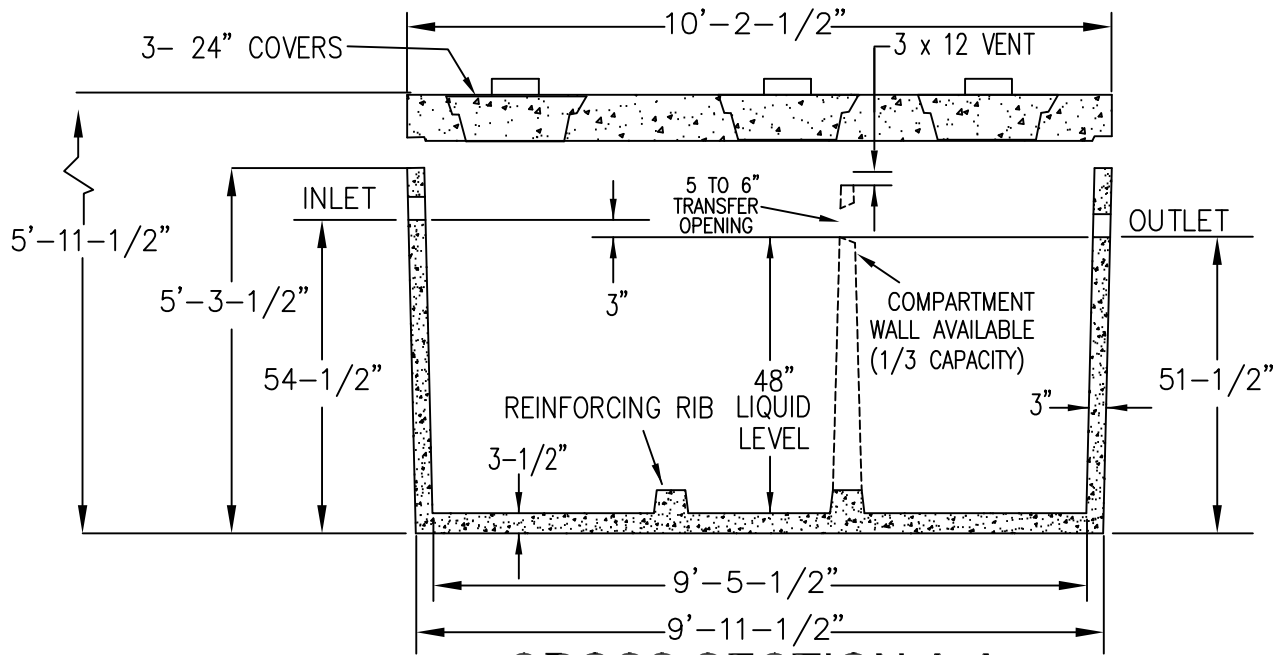


H.D. 1,500 GALLON MONOLITHIC SEPTIC TANK (AVAILABLE IN 2 COMPARTMENT)

TM1500HD



PLAN VIEW



CROSS SECTION A-A

SPECIFICATIONS

- 1.) CONCRETE 4,000 PSI AFTER 28 DAYS.
- 2.) CONSTRUCTION CONFORMS TO DEP TITLE V REGS. 310 CMR SECTION 15.226.
- 3.) REINFORCEMENT PER ASTM C1227-93.
- 4.) APROX. WEIGHT 13,966 LBS