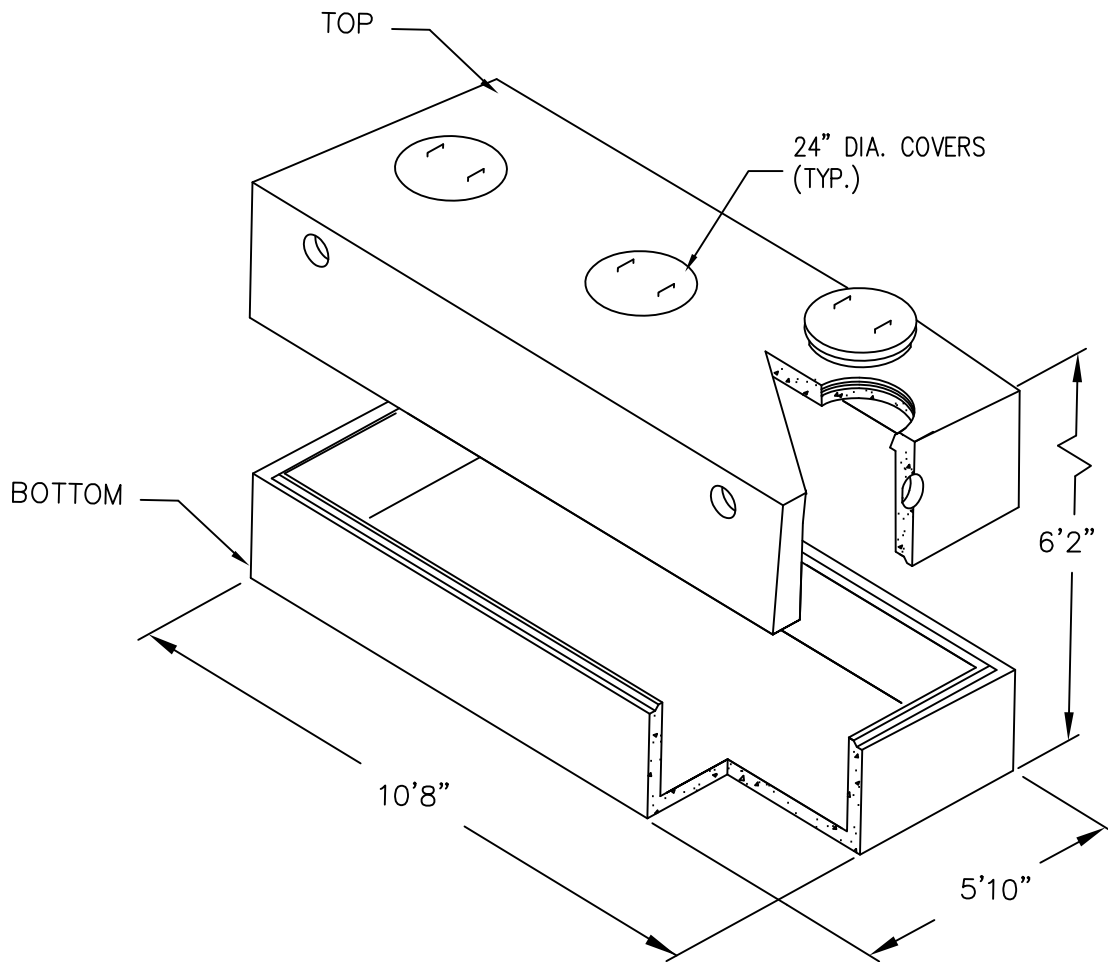




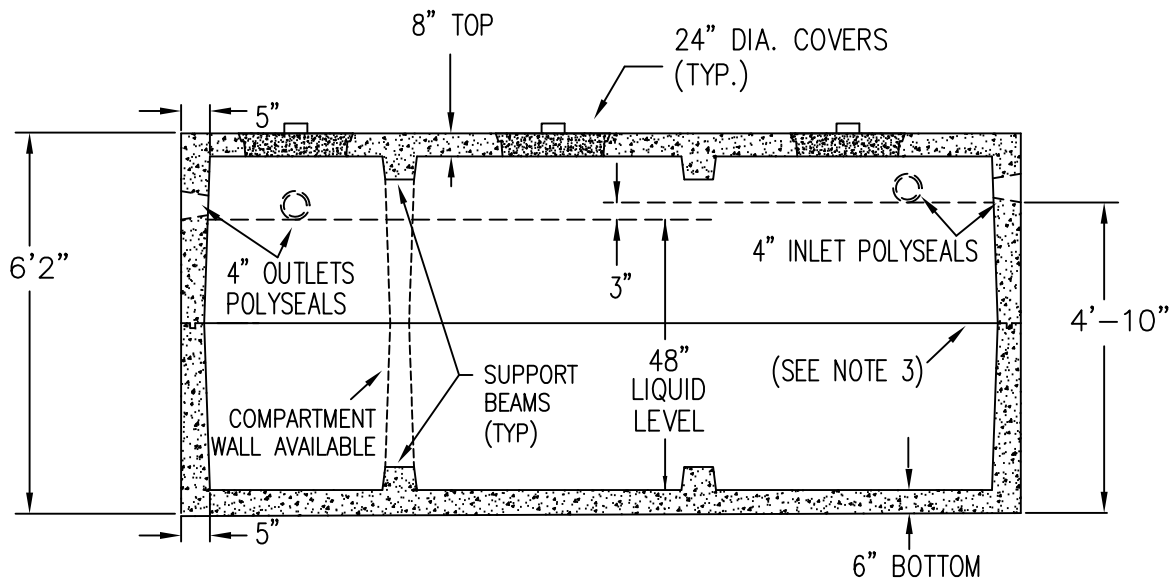
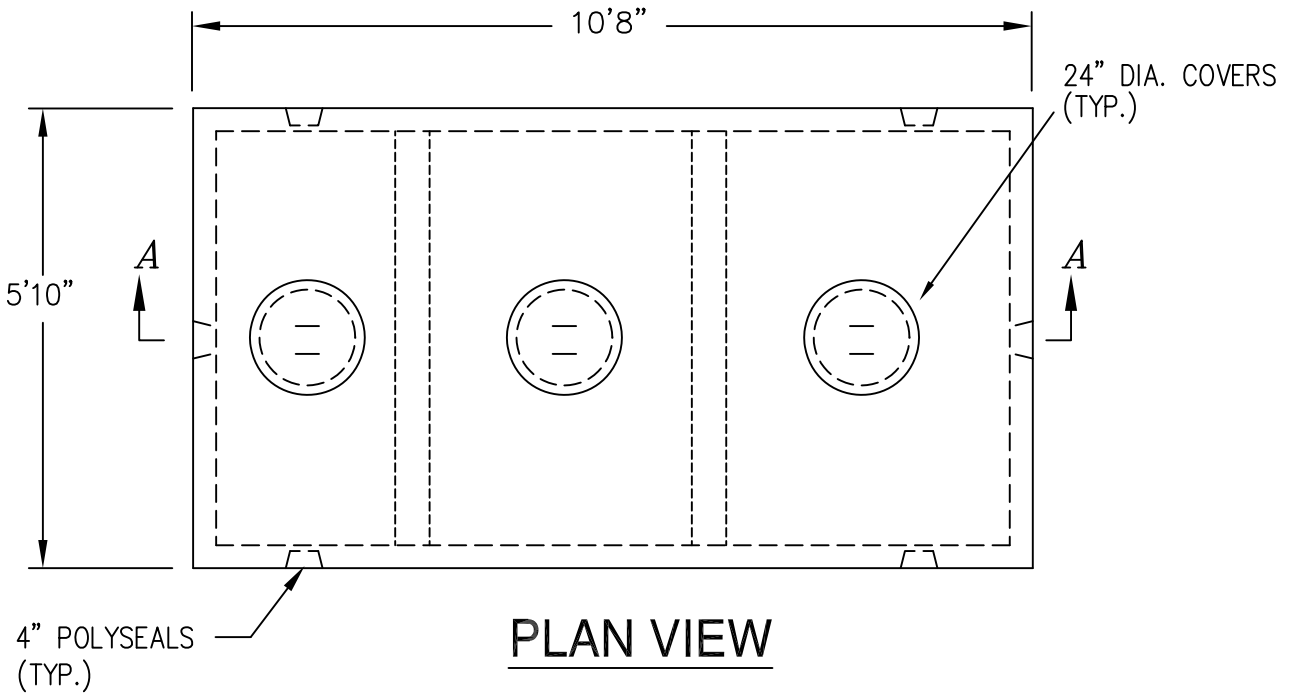
WIGGIN MEANS PRECAST CO., INC.

P.O. BOX 1507 POCASSET, MASSACHUSETTS 02559
TEL: 508.564.6776 FAX: 508.564.6770
www.wigginprecast.com



1,500 GALLON H-20 PRECAST SEPTIC TANK

T1500H



SPECIFICATIONS

- 1.) CONCRETE 5,000 PSI AFTER 28 DAYS.
- 2.) CONSTRUCTION CONFORMS TO DEP TITLE V REGS. 310 CMR SECTION 15.226.
- 3.) TONGUE & GROOVE JOINT SEALED W/ BUTYL RESIN
- 4.) REINFORCEMENT PER ASTM C1227-93.
- 5.) AVAILABLE IN TWO COMPARTMENT
- 6.) WEIGHT 20,000 LBS.