

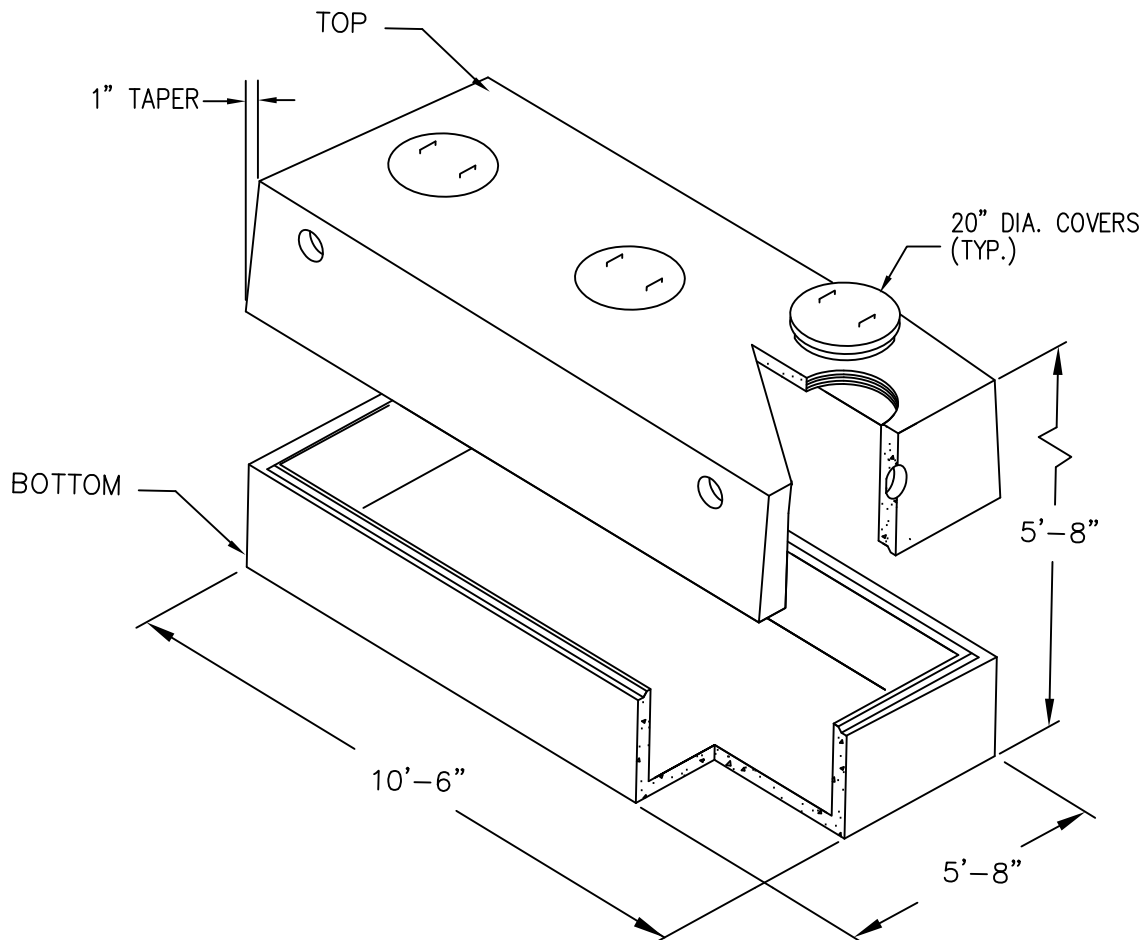


WIGGIN MEANS PRECAST CO., INC.

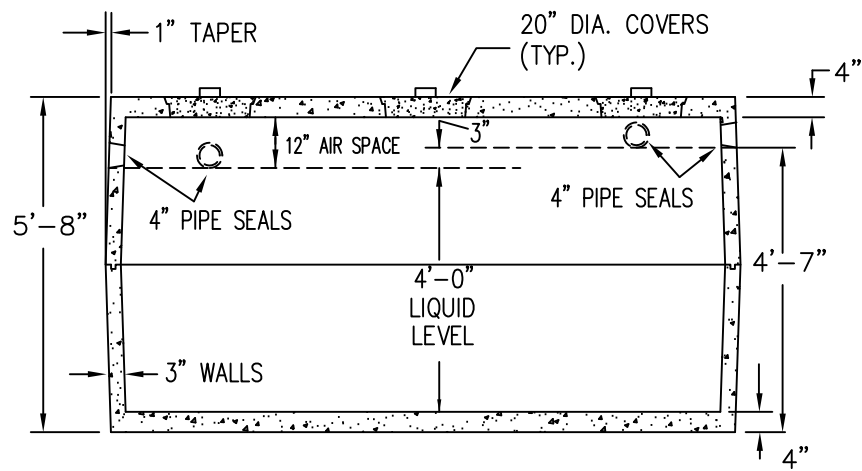
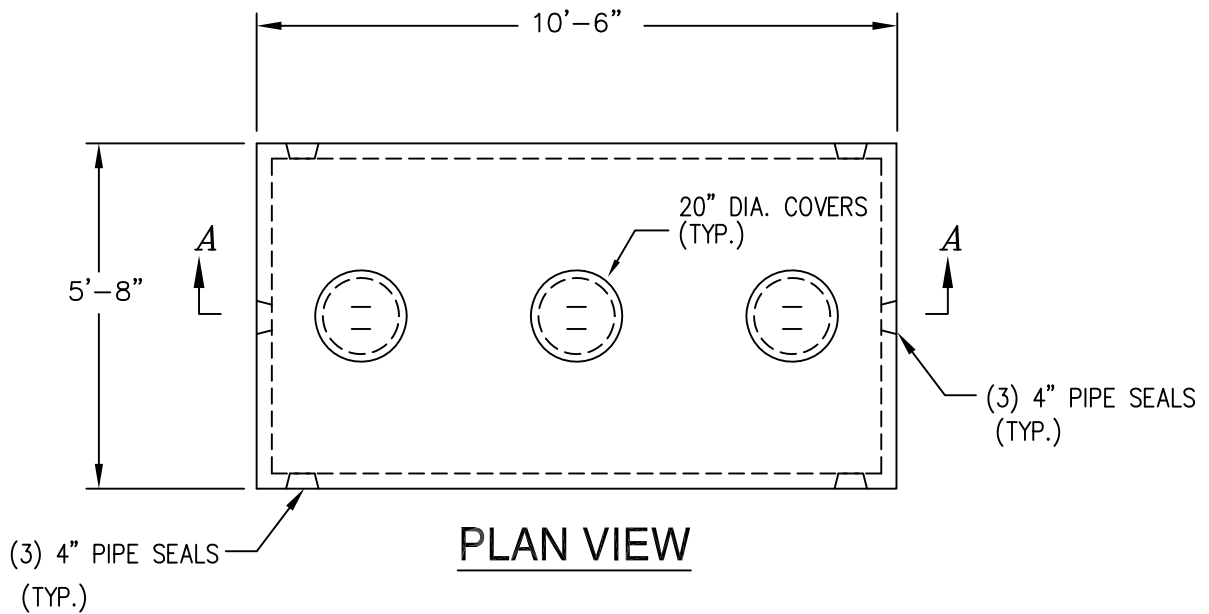
P.O. BOX 1507 POCASSET, MASSACHUSETTS 02559

TEL: 508.564.6776 FAX: 508.564.6770

www.wigginprecast.com



1,500 GALLON PRECAST SEPTIC TANK



CROSS SECTION A-A

SPECIFICATIONS

- 1.) CONCRETE MINIMUM STRENGTH 4,000 PSI AT 28 DAYS.
- 2.) CEMENT: PORTLAND TYPE III PER ASTM C150-81.
- 3.) STEEL REINFORCEMENT: PER ASTM A-615. GRADE 60.
- 4.) DESIGN LOADING PER AASHTO HS-10.
- 5.) WEIGHT 11,700 LBS.